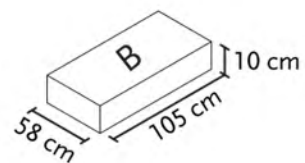
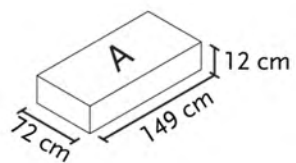
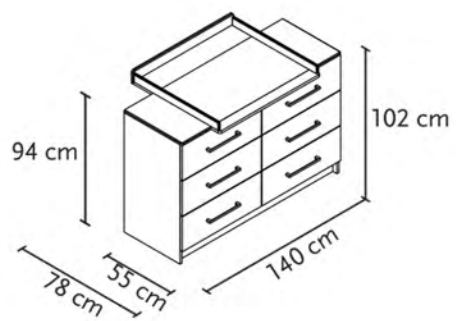




Комод-пеленатор Whity 140







1 x BL



1 x JM



1 x BR



1 x G



1 x GTH



1 x GTV



2 x KI



1 x IL



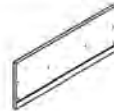
1 x IR



1 x IM



3 x SVL



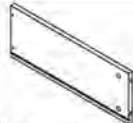
3 x SVR



6 x SH



6 x SL



6 x SR



6 x SB



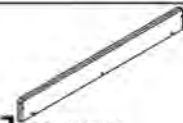
1 x KUV



1 x KUH



2 x KOS



1 x KOH



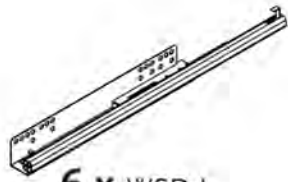
1 x KV



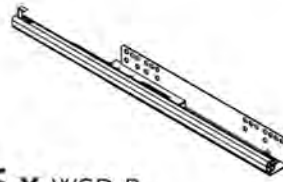
1 x KK



23 x WDH 8/30



6 x WSD-L



6 x WSD-R



24 x VSC 6,3/9



15 x VES 7/50



10 x WBC



10 x WE 22



63 x VS 4,2/13



24 x WBC



25 x VS 4/40



6 x HK



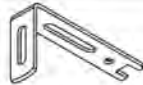
12 x VM 4/27



24 x WE 16



15 x VS 3,5/16



1 x EML



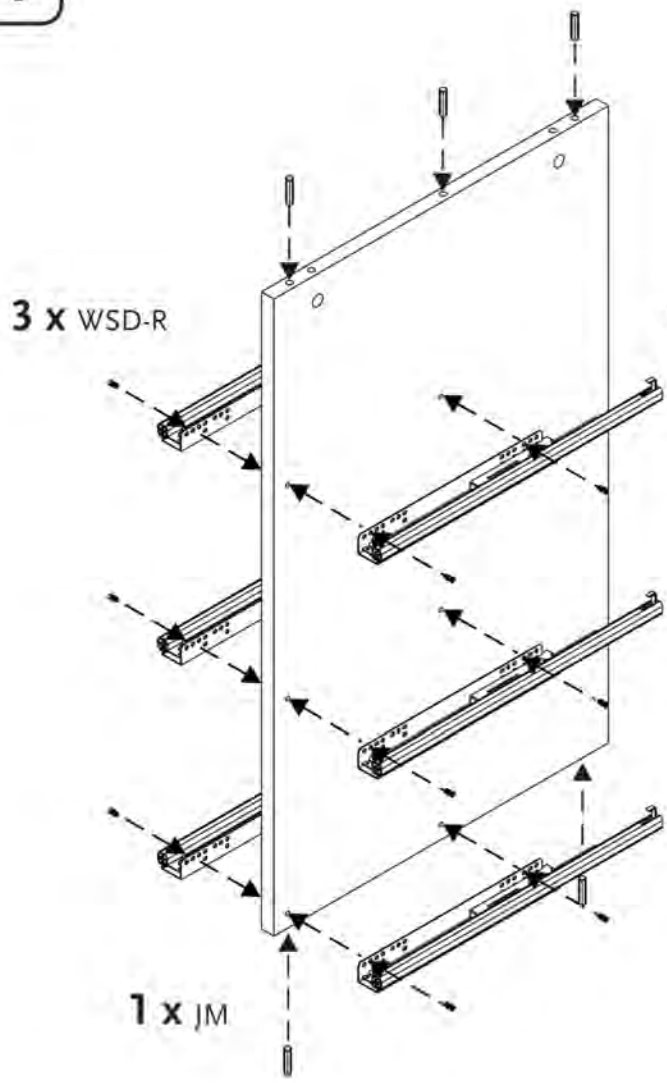
1 x WDK 6



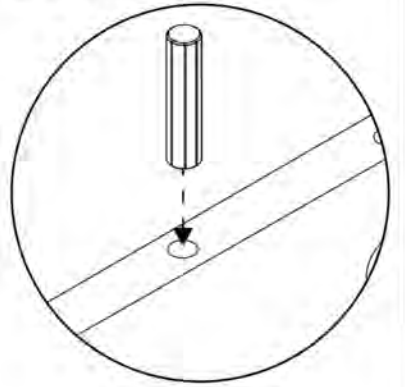
1 x WI 4



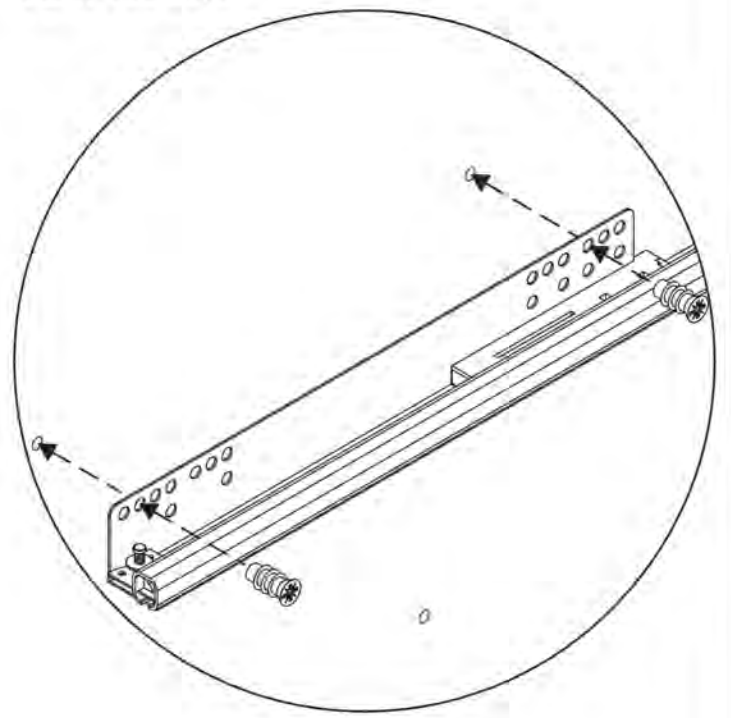
**1**



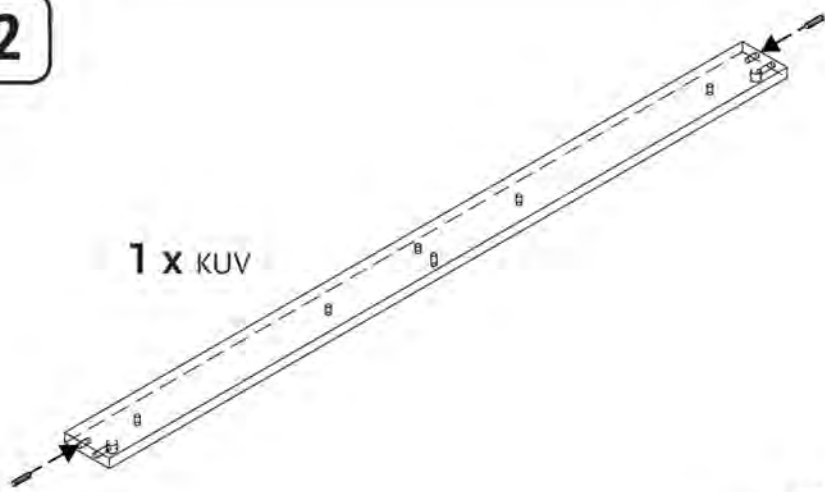
5 x WDH 8/30



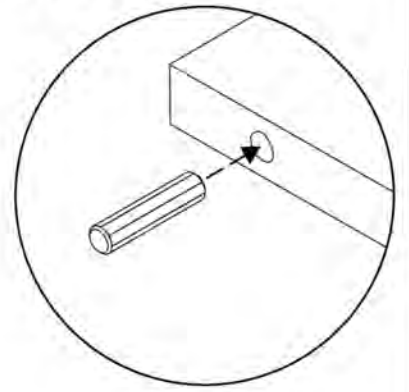
12 x VSC 6,3/9



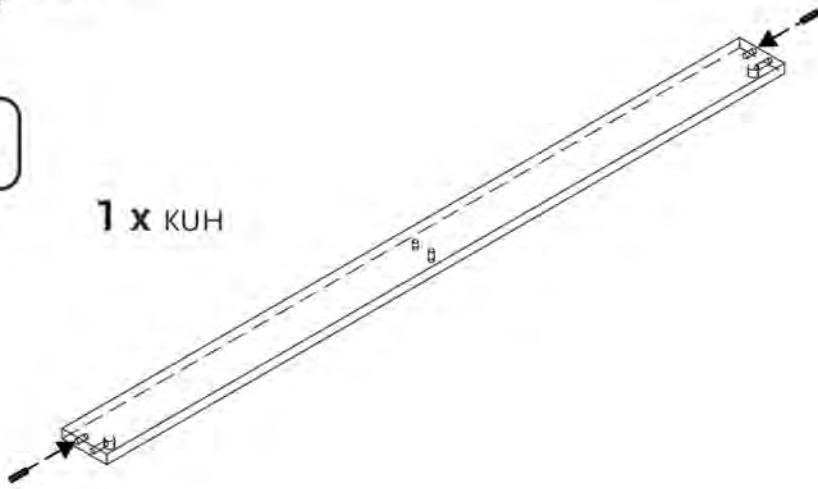
2



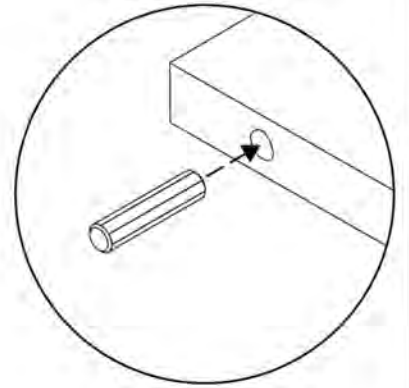
2 x WDH 8/30



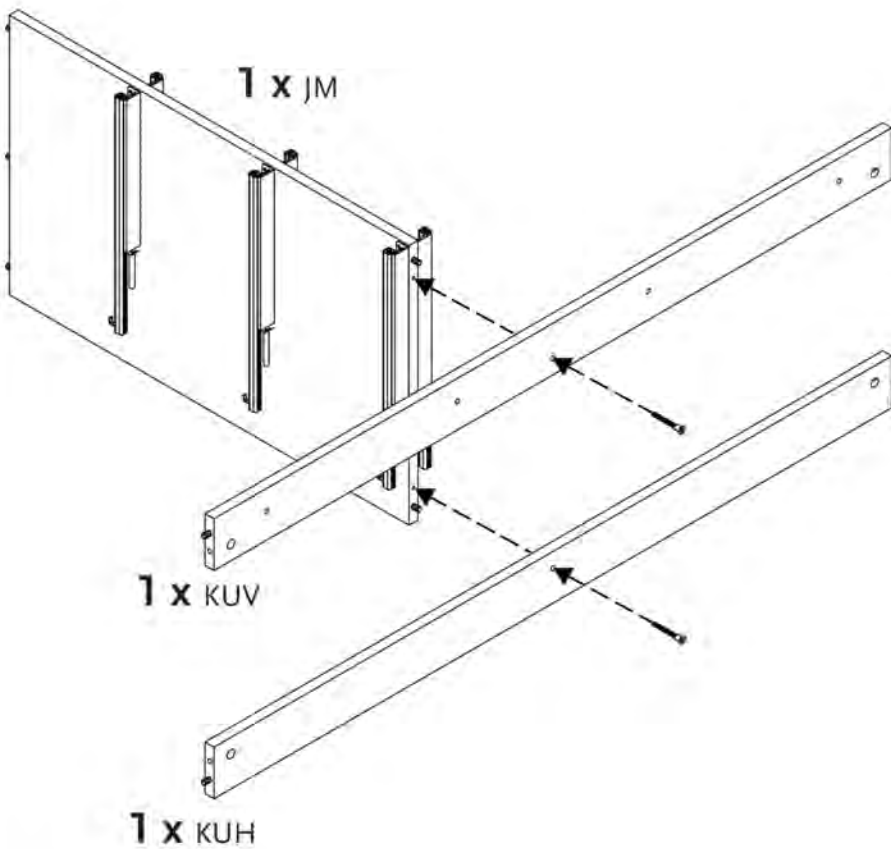
3



2 x WDH 8/30

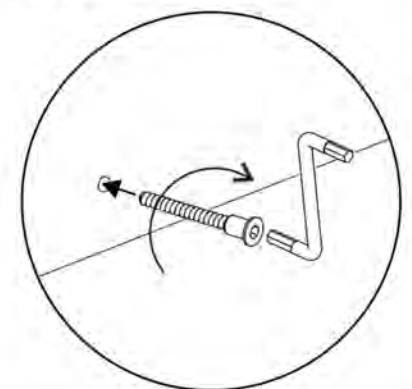


4

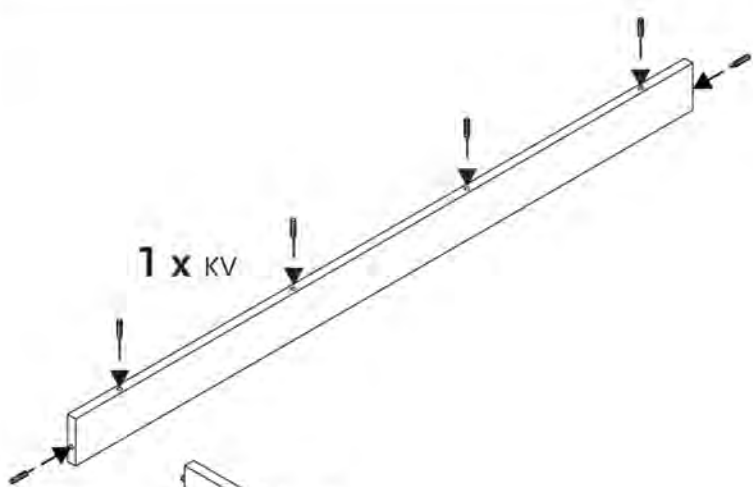


2 x VES 7/50

1 x W14

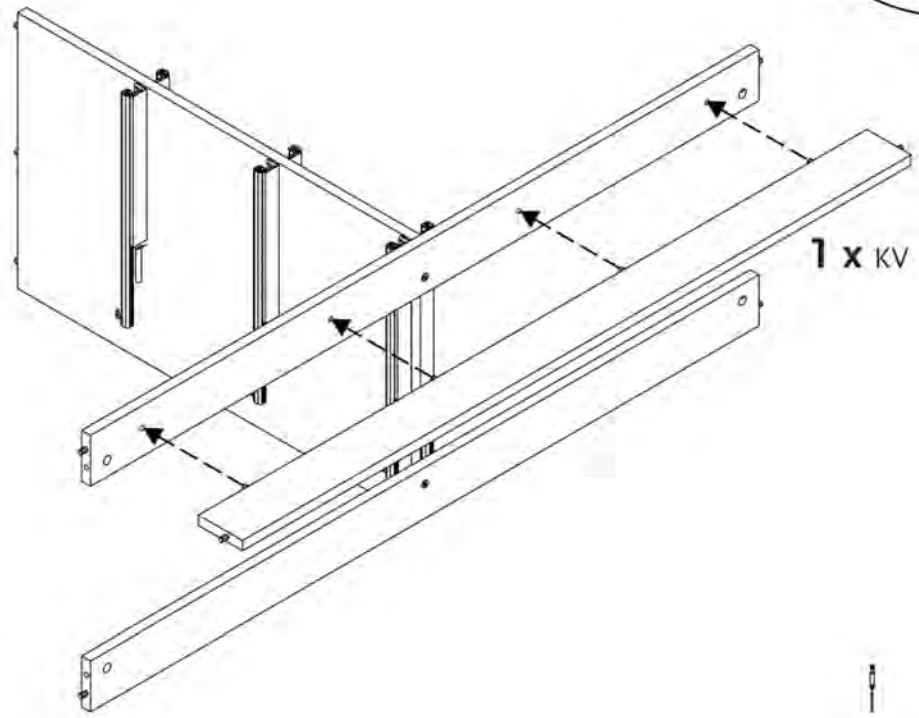


5



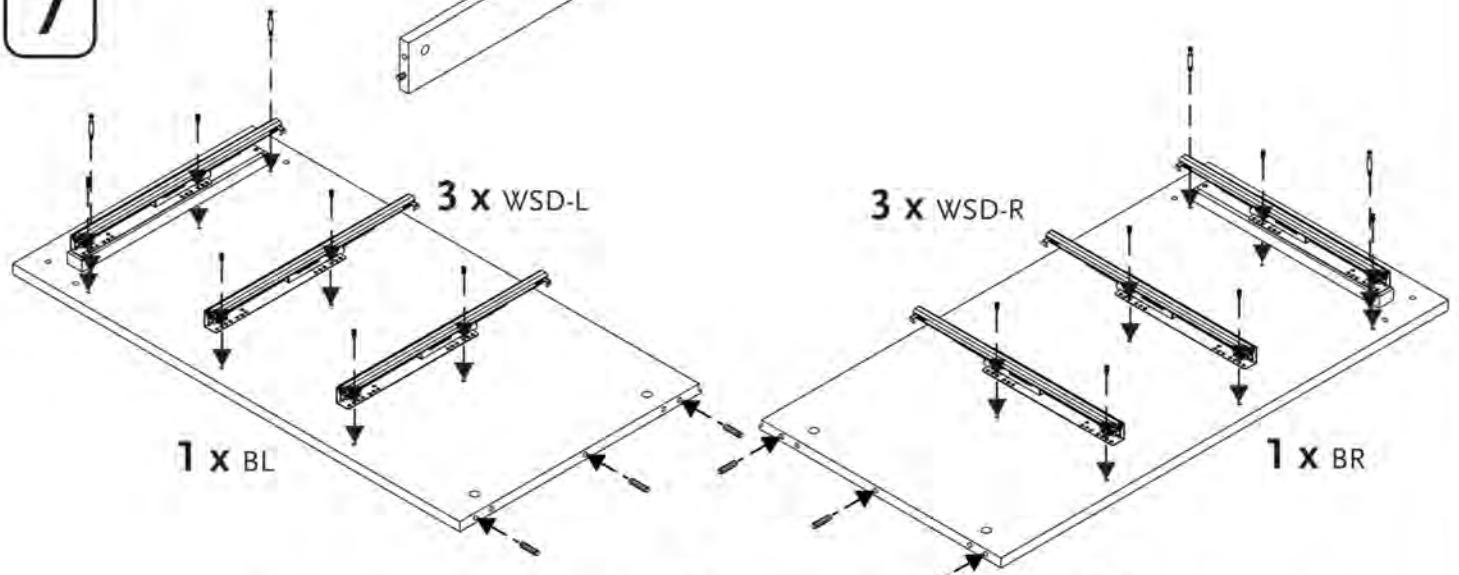
6 x WDH 8/30

6



1 x KV

7



3 x WSD-L

3 x WSD-R

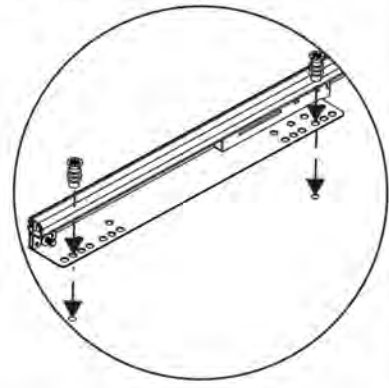
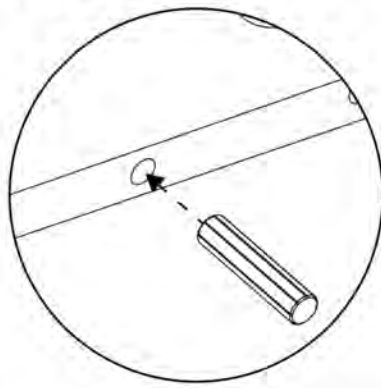
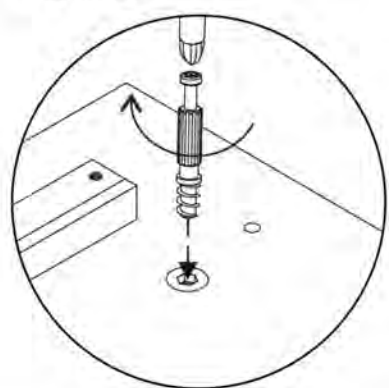
1 x BL

1 x BR

4 x WBC

6 x WDH 8/30

12 x VSC 6,3/9

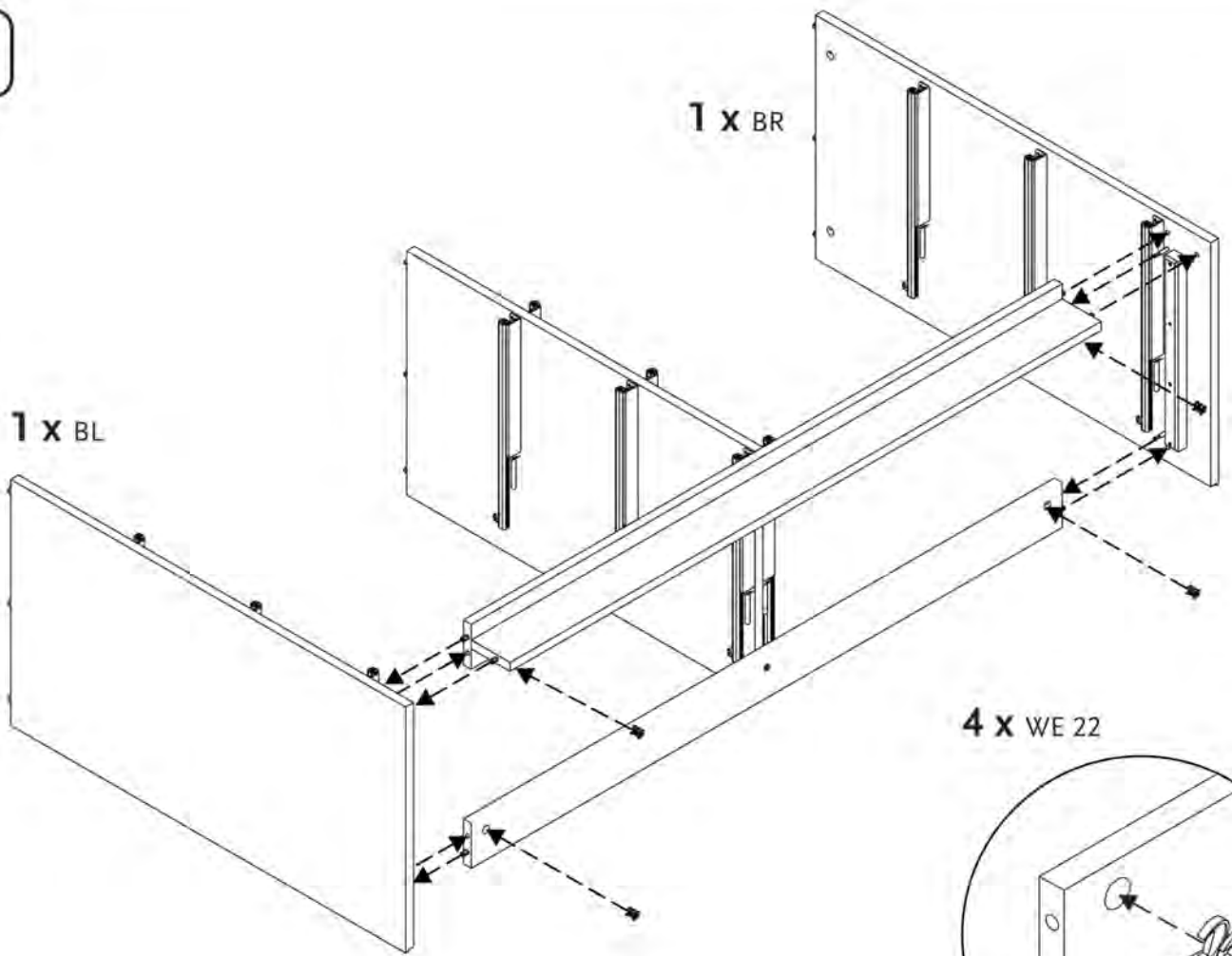


8

1 x BL

1 x BR

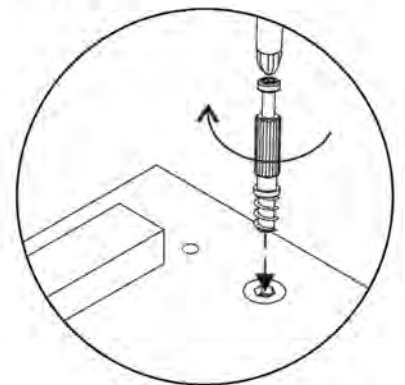
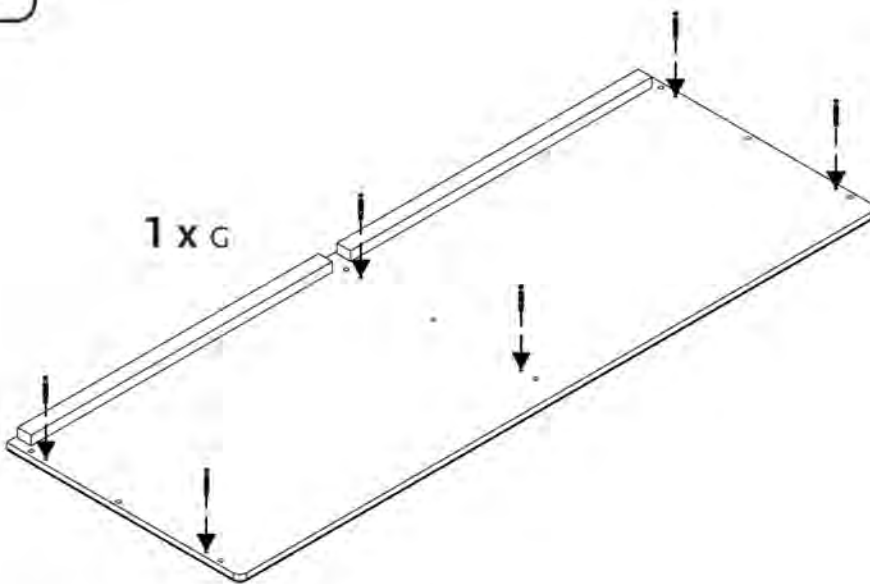
4 x WE 22



9

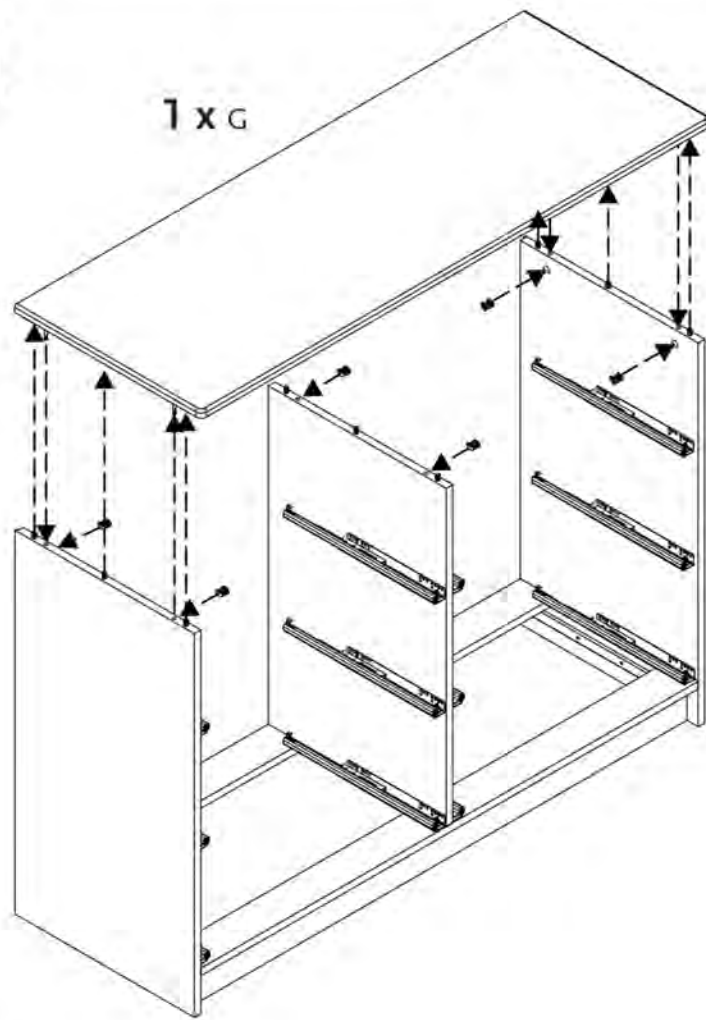
1 x G

6 x WBC

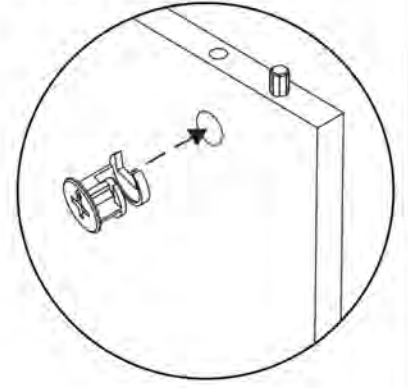




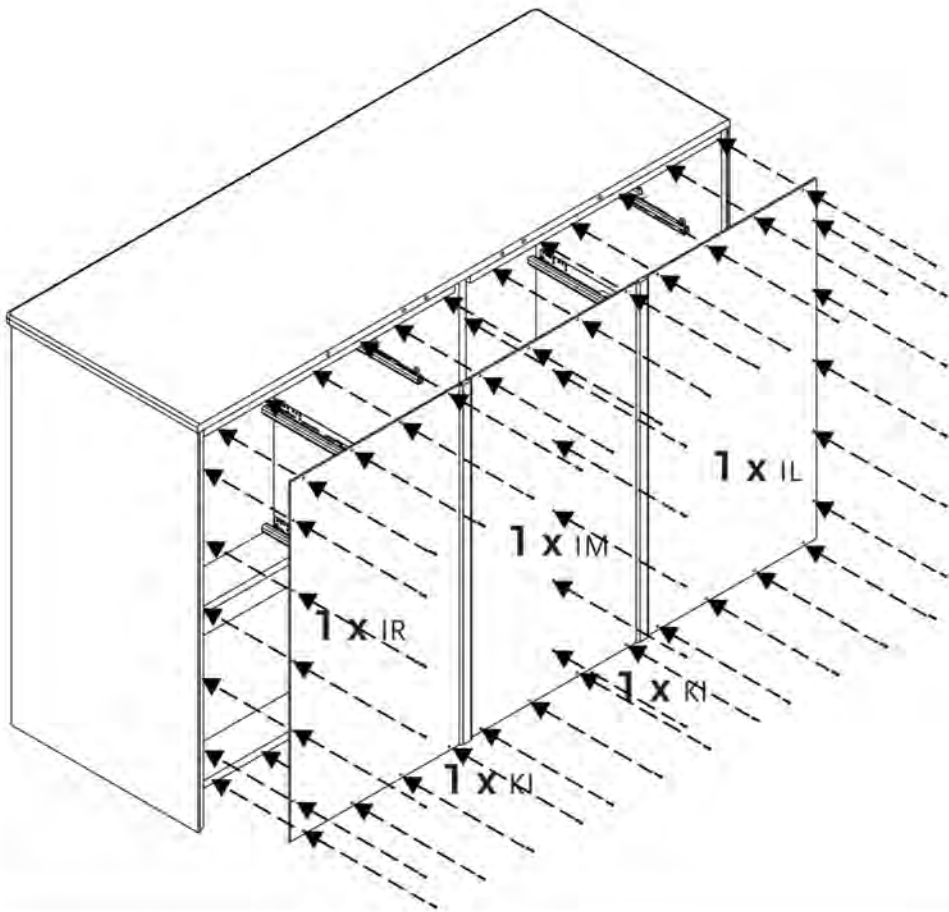
10



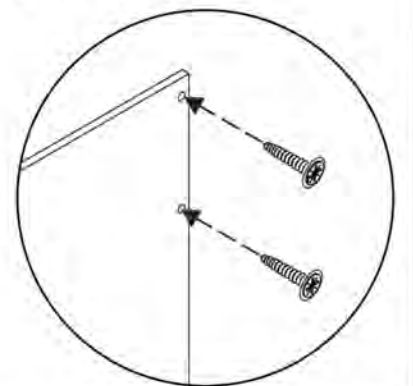
6 x WE 22



11

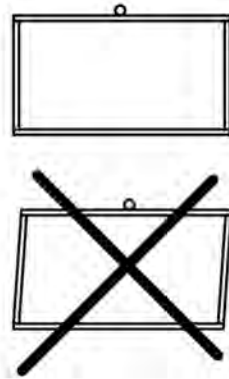
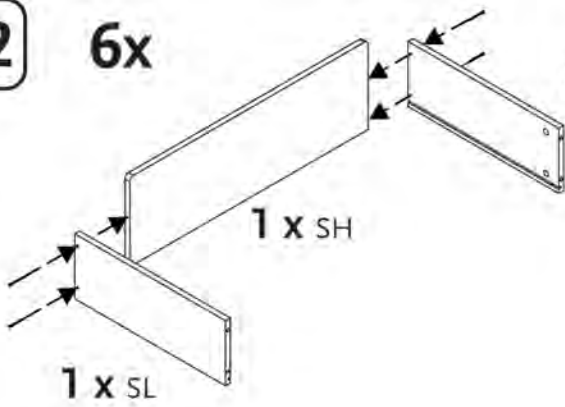


39 x VS 4,2/13

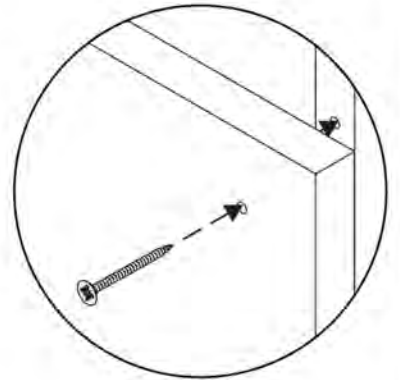


12

6x

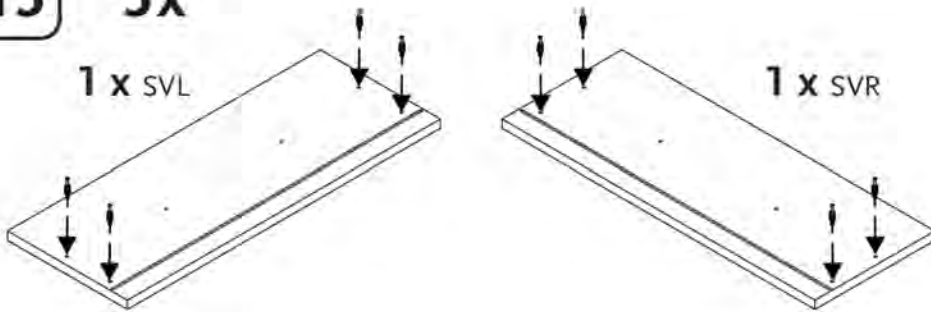


4 x VS 4/40

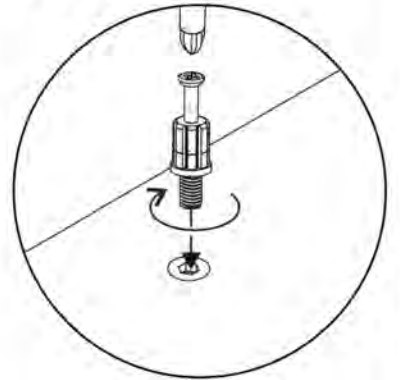


13

3x

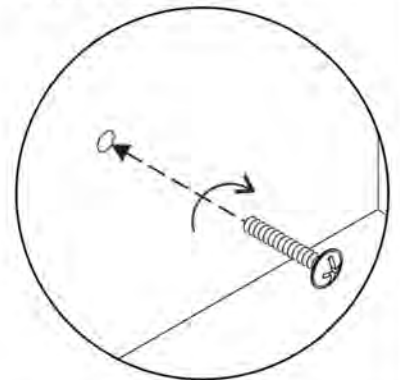
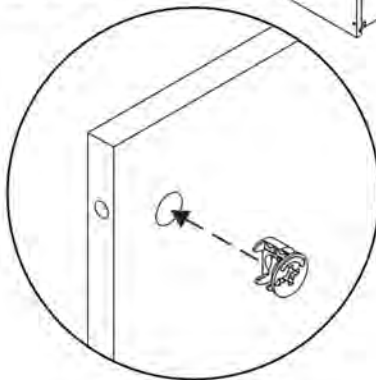
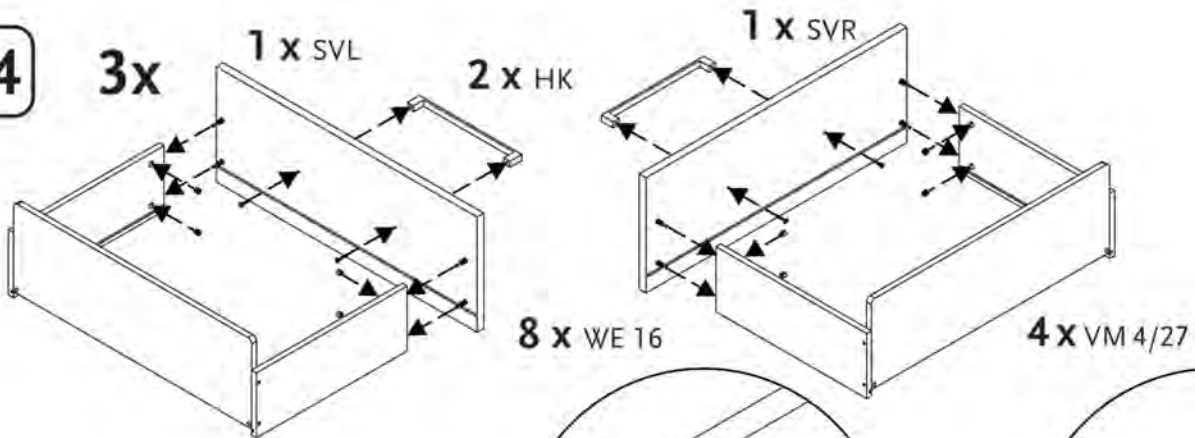


8 x WBC

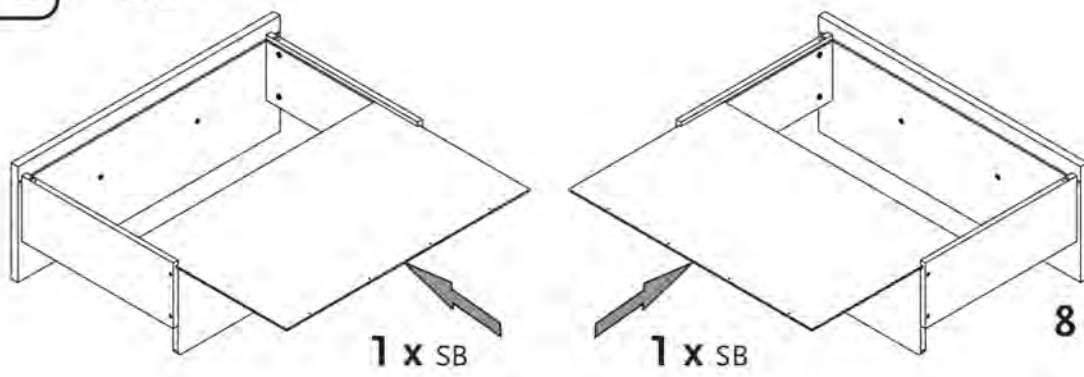


14

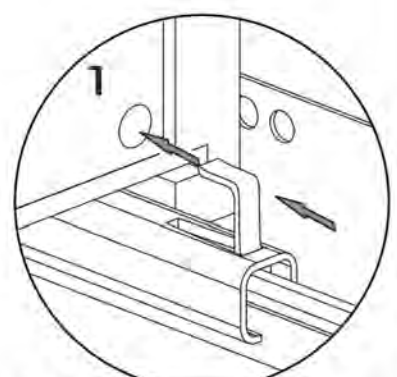
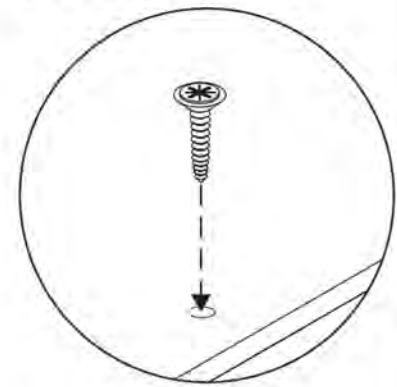
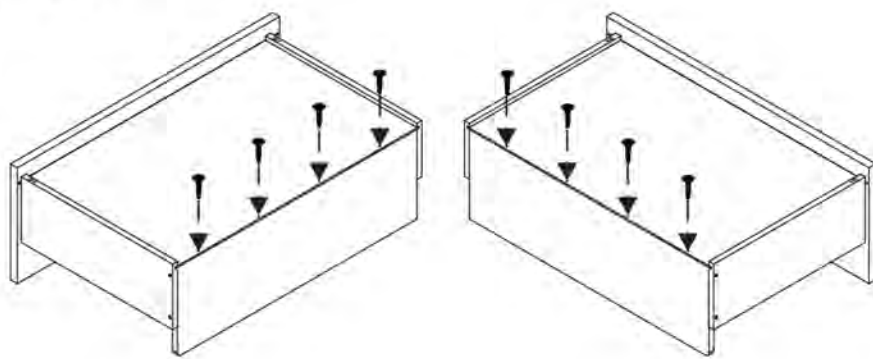
3x



**15** 3x

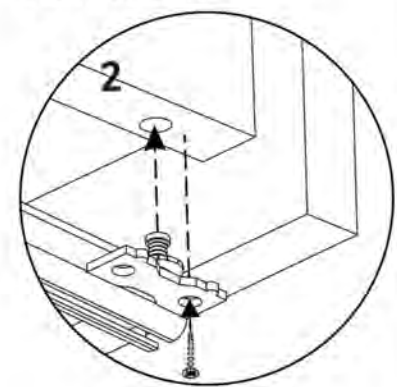
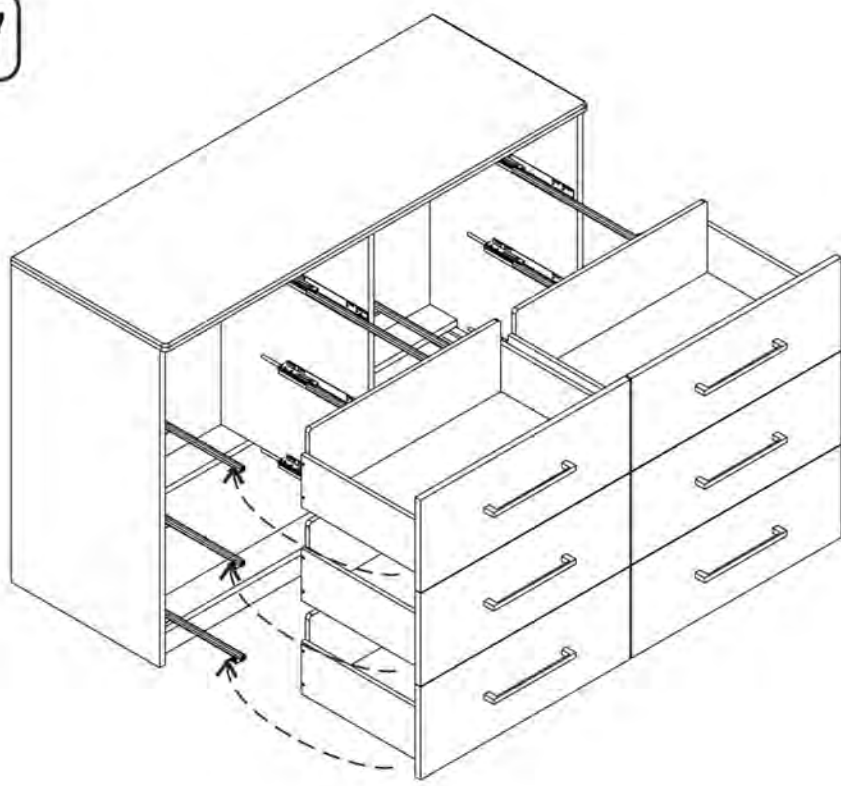


**16** 3x

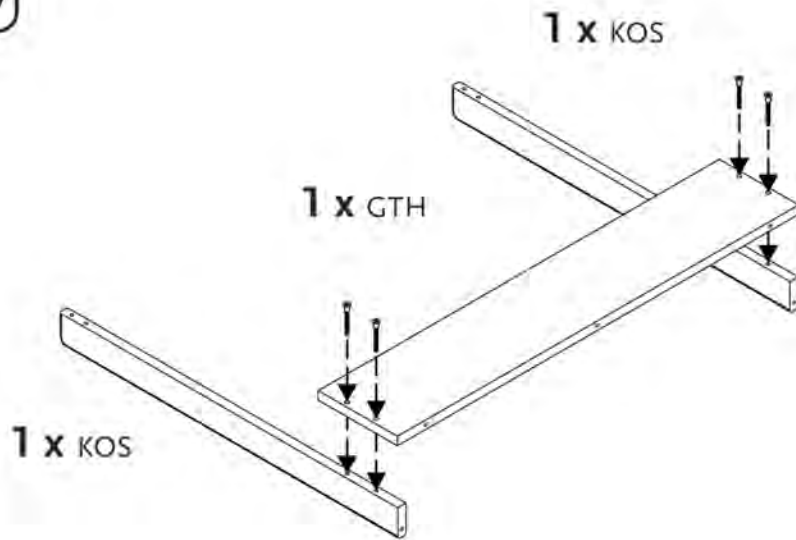


12 x VS 3,5/16

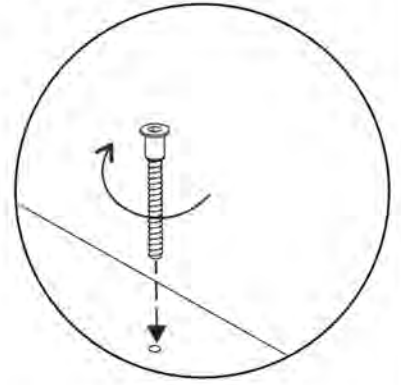
**17**



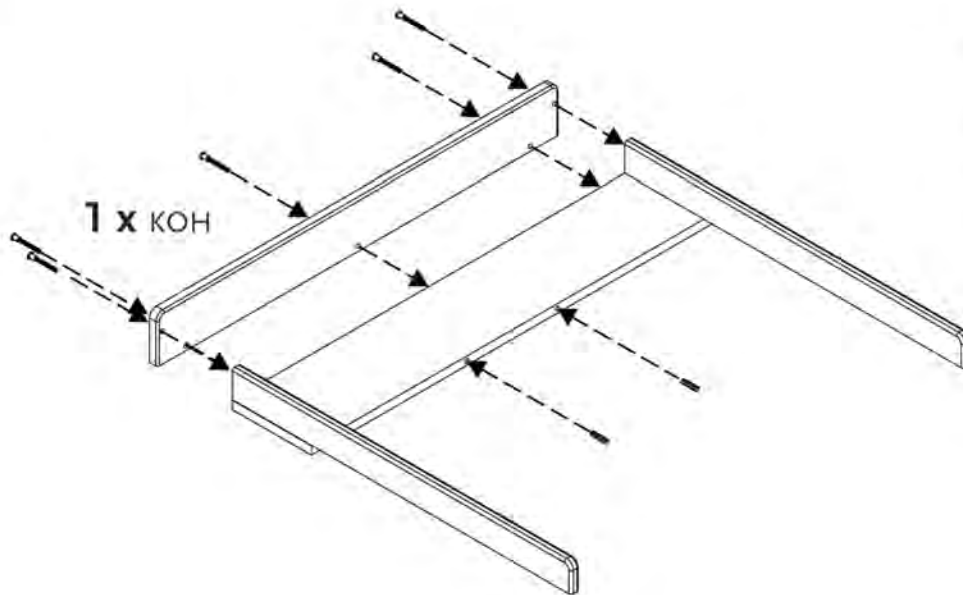
18



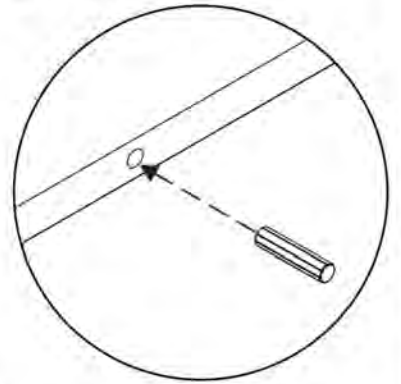
4 x VES 7/50



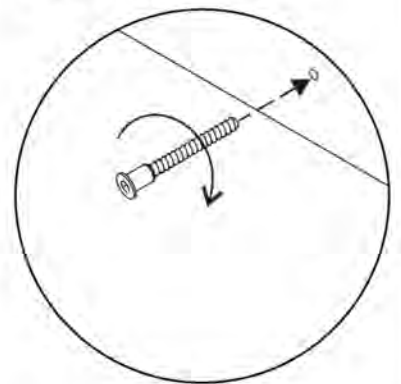
19

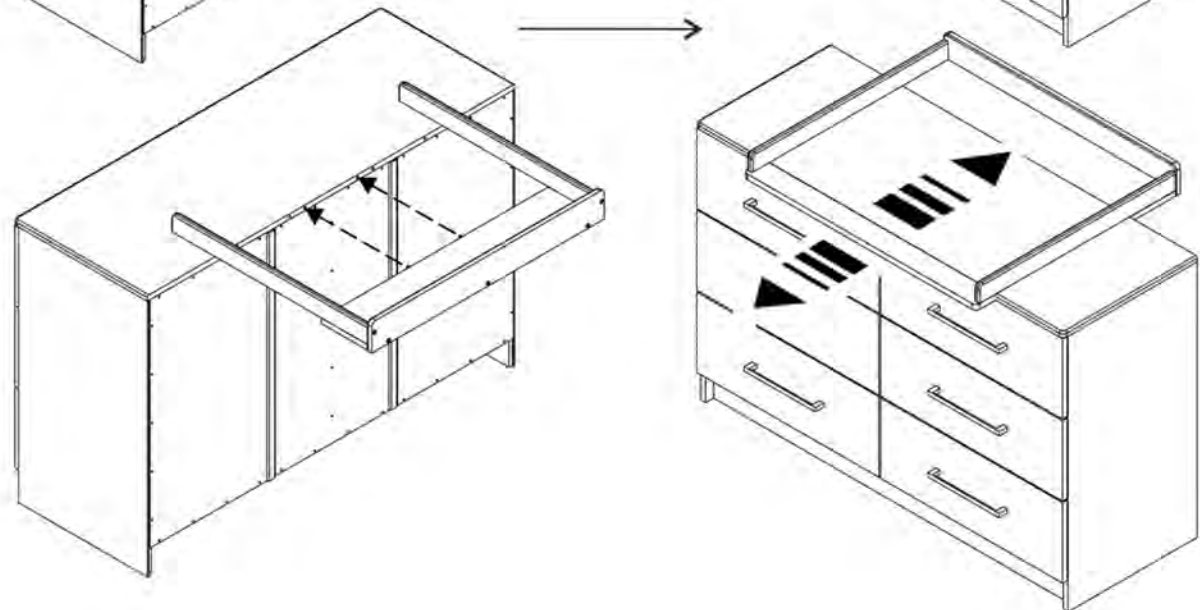
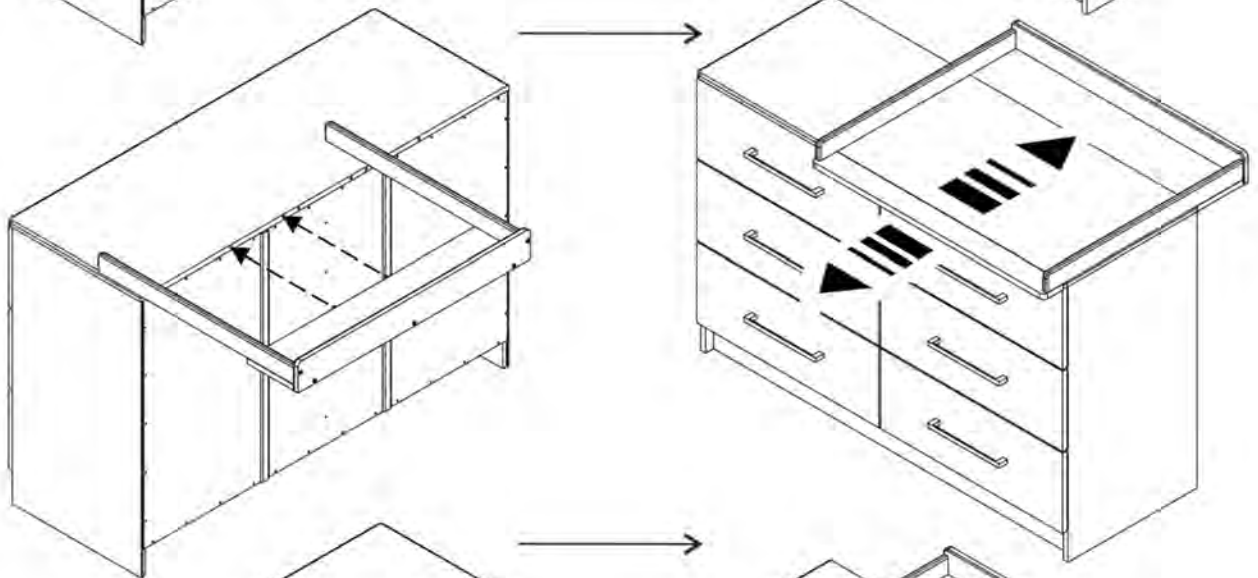
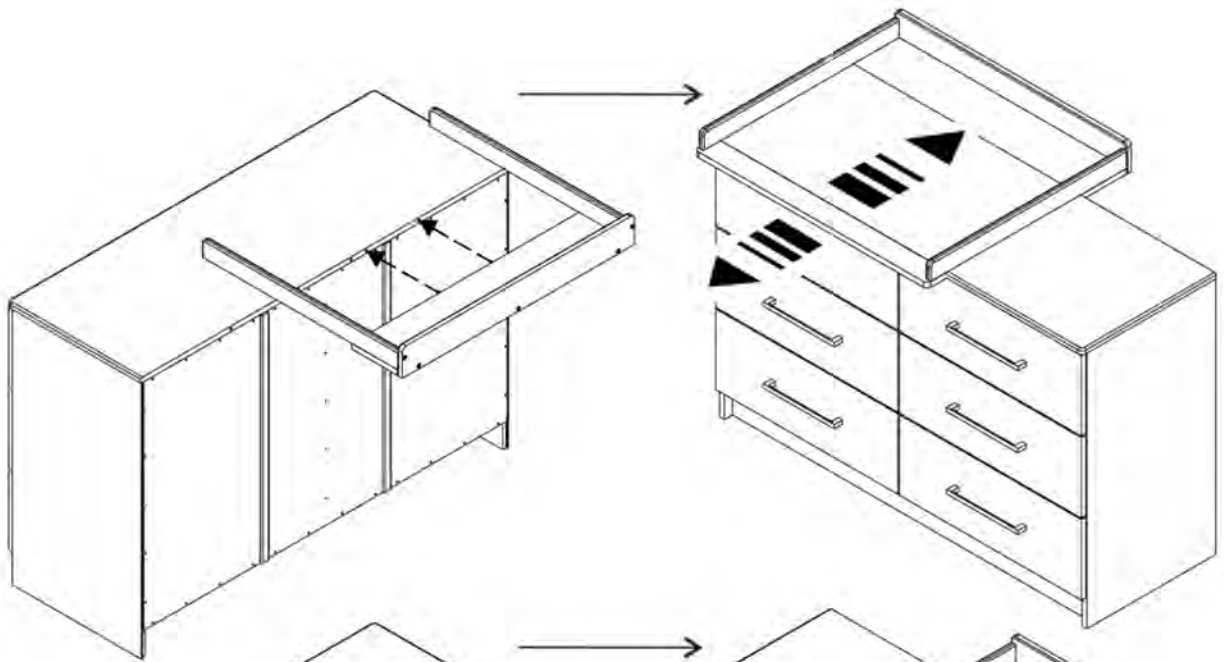


2 x WDH 8/30

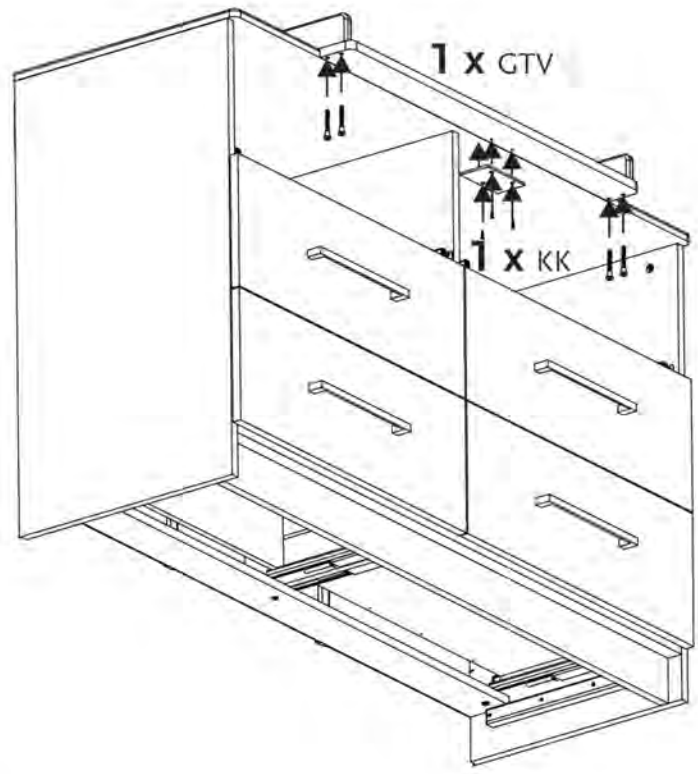


5 x VES 7/50

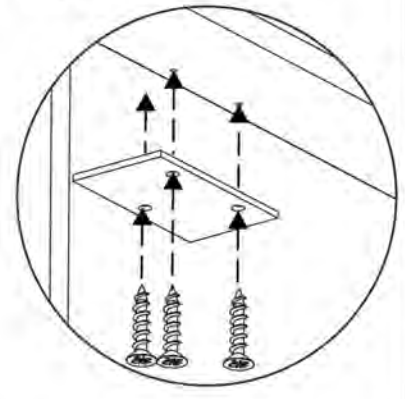




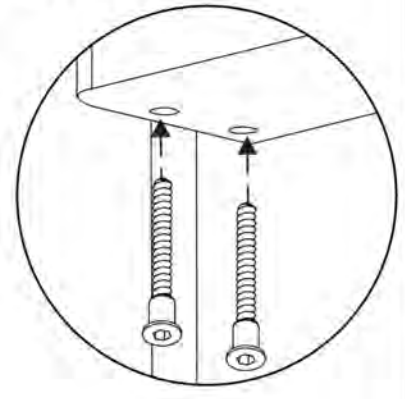
21



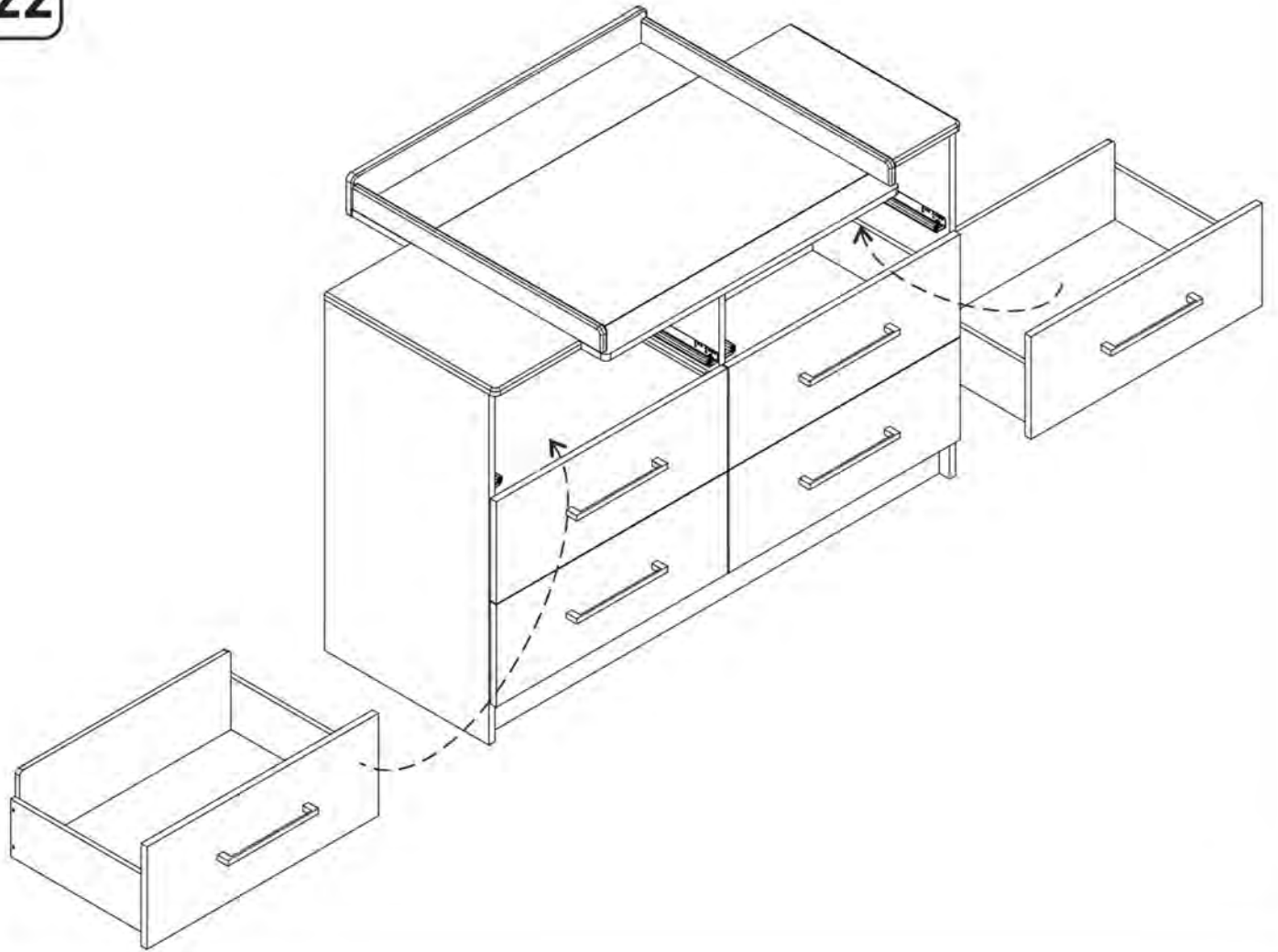
3 x VS 3,5/16



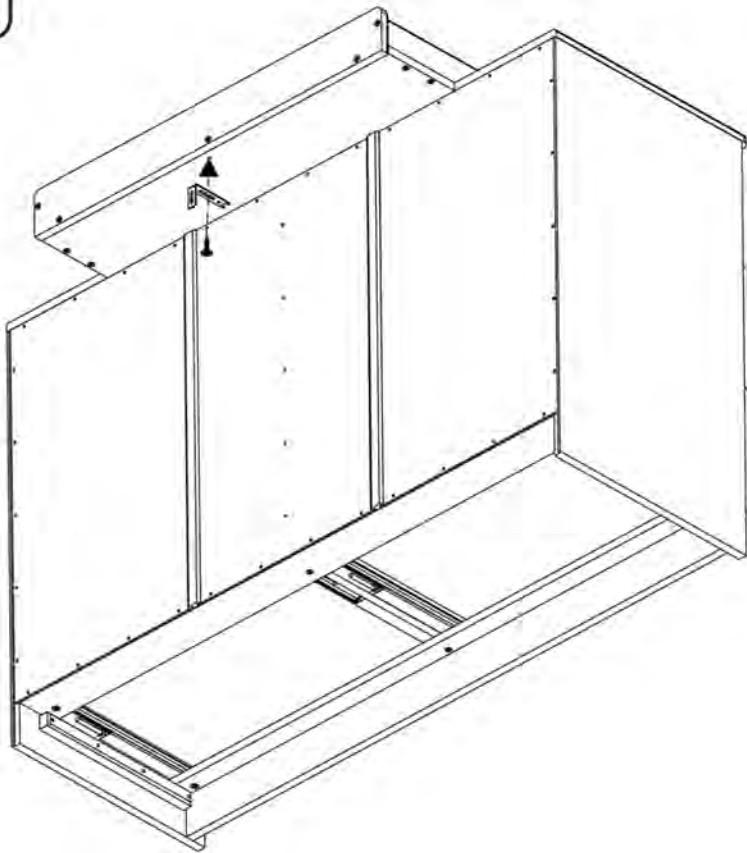
4 x VES 7/50



22

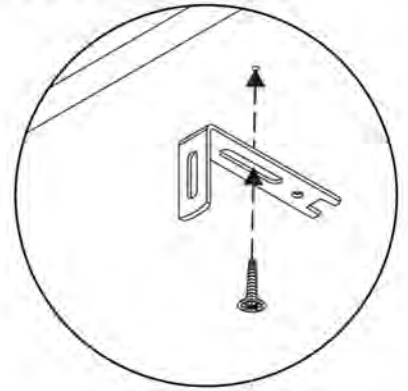


23

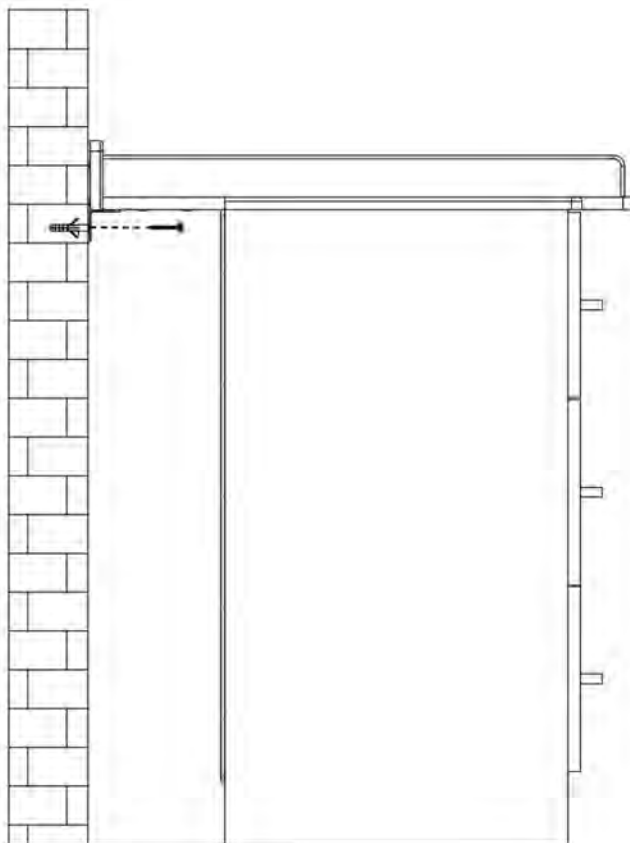


1 x VS 4,2/13

1 x EML

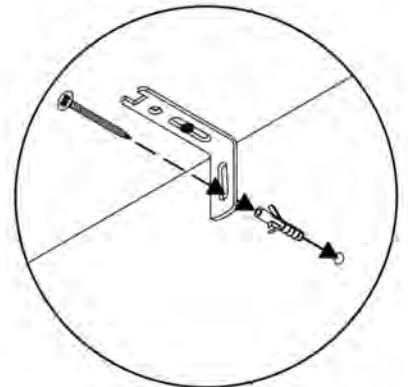


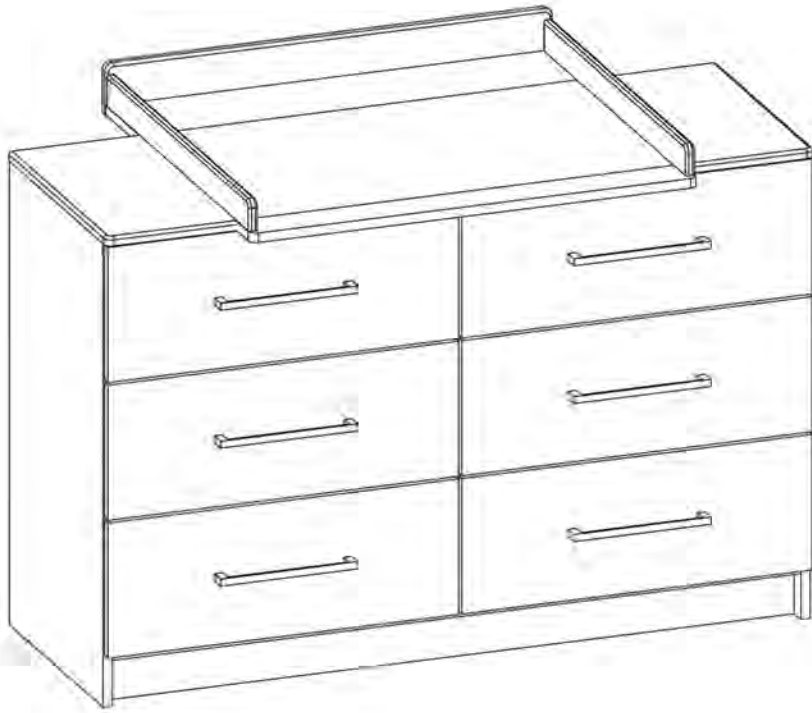
24



1 x VS 4/40

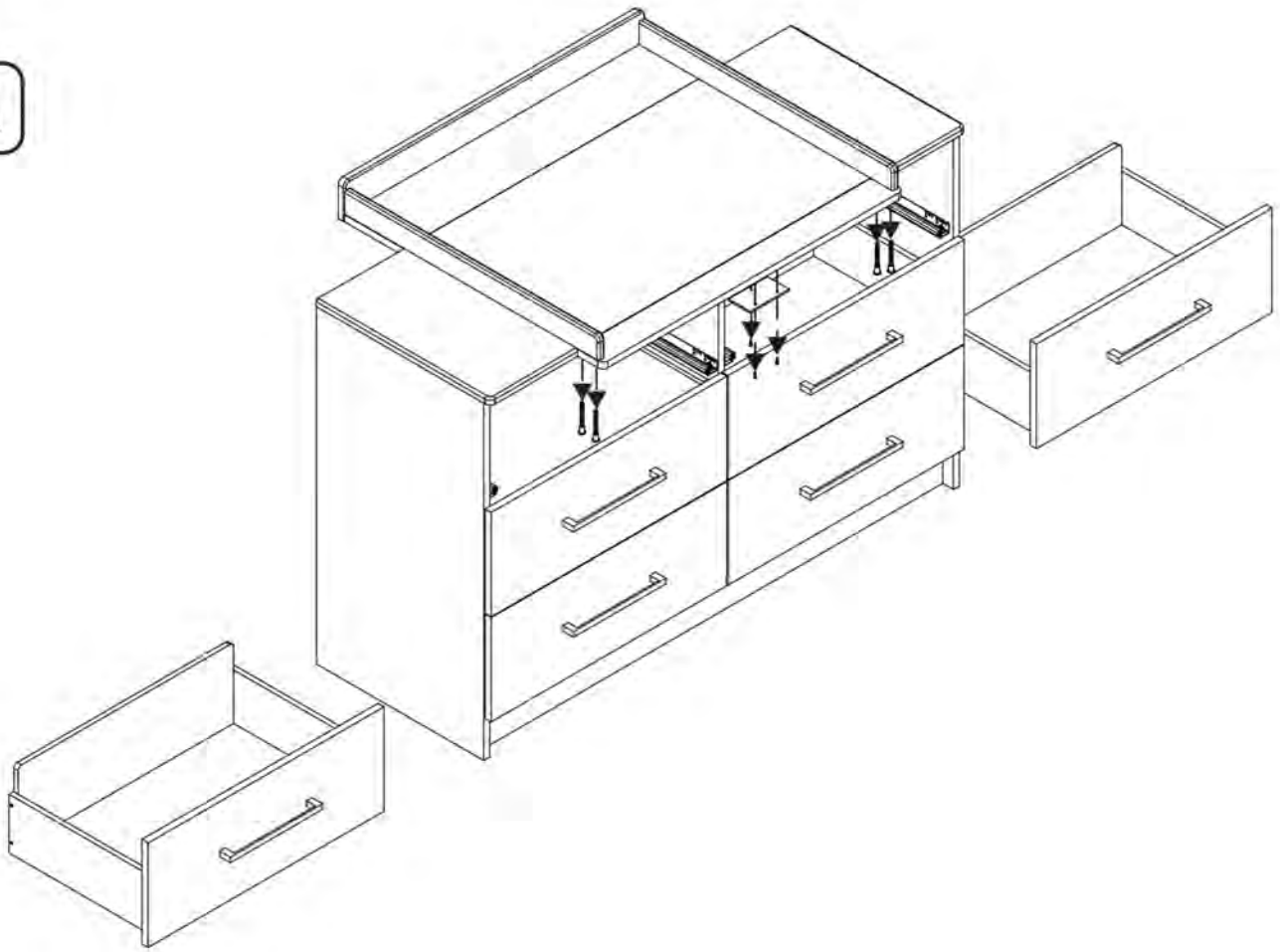
1 x WDK 6







**A**



**B**

