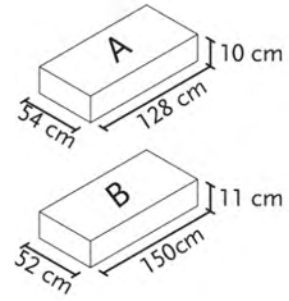
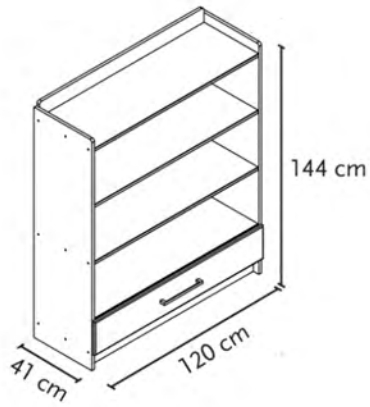
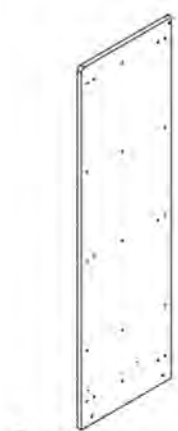


Стелаж Whity з шухлядою







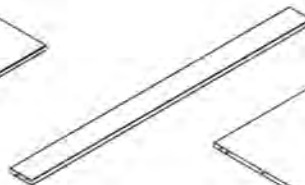
1 x BL



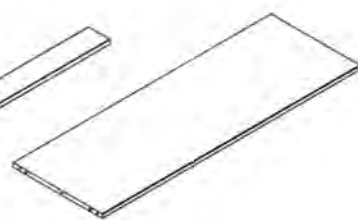
1 x BR



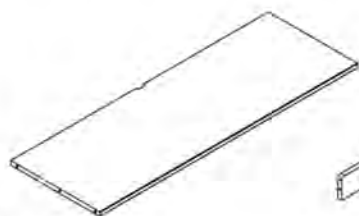
1 x G



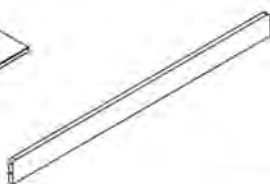
2 x KU1



1 x M1



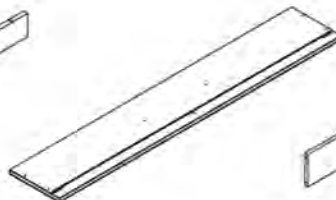
2 x M2



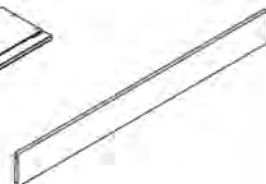
1 x KO



2 x KU



1 x SV



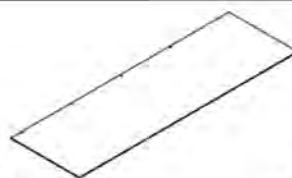
1 x SH



1 x SL



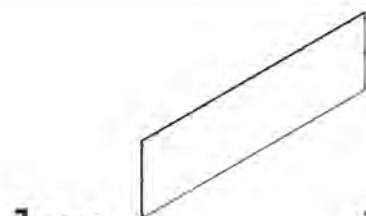
1 x SR



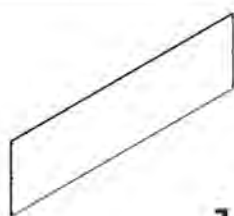
1 x SB



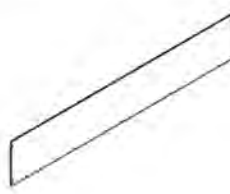
1 x KS



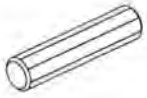
1 x IO



2 x IM



1 x IU



41 x WDH 8/30



18 x VES 7/50



5 x VS 4/40



2 x VM 4/27



1 x HK



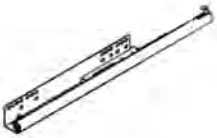
51 x VR 4/17



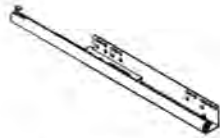
4 x WE 15



4 x WBC



1 x WSD-L



1 x WSD-R



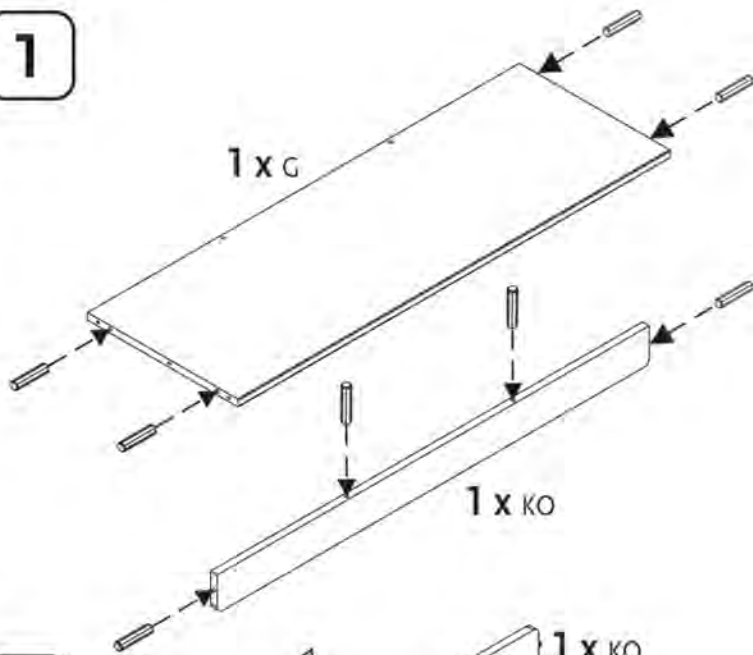
6 x VS 3,5/16



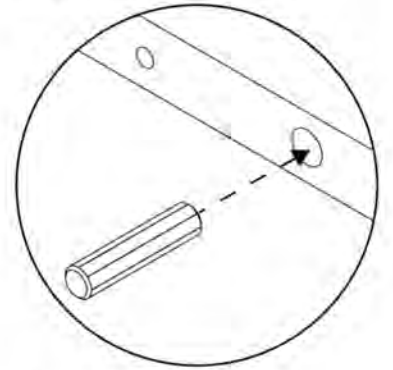
1 x WI 4



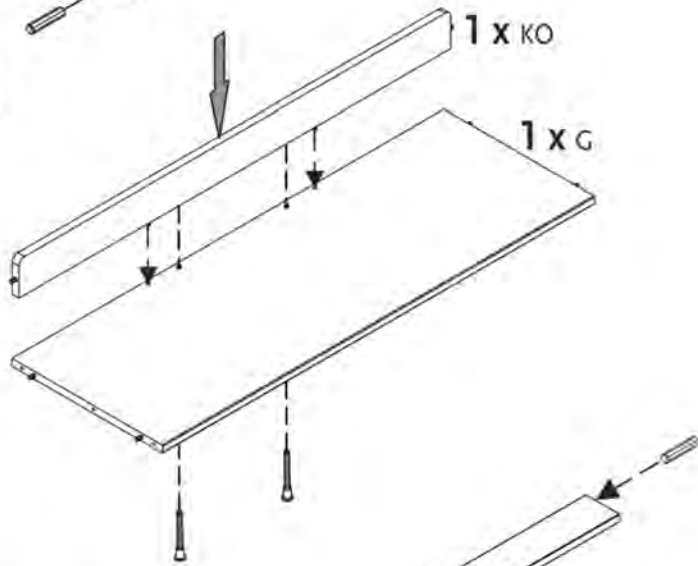
1



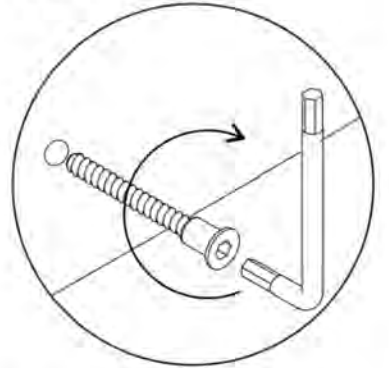
8 x WDH 8/30



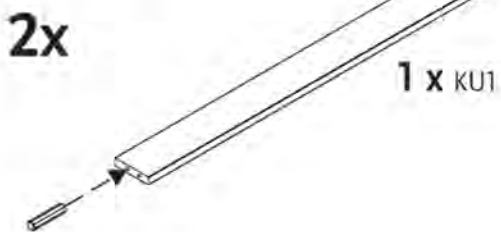
2



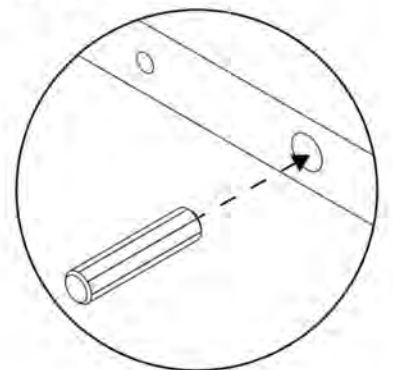
2 x VES 7/50



3

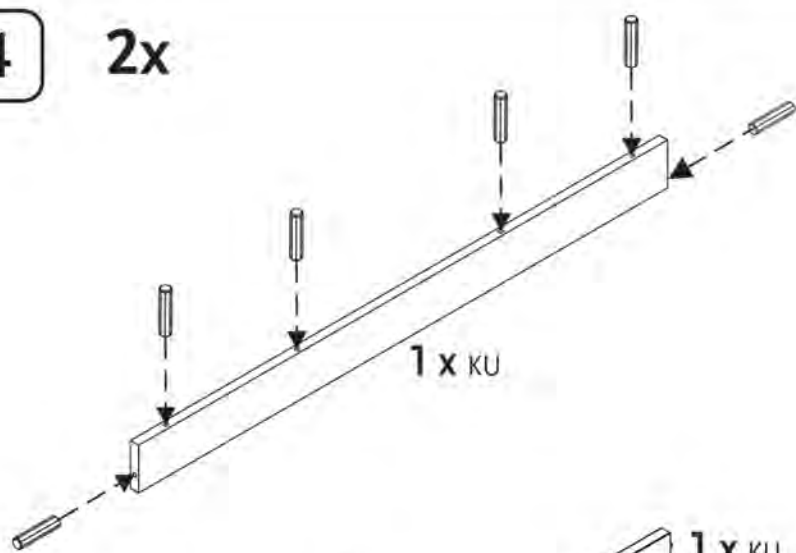


2 x WDH 8/30

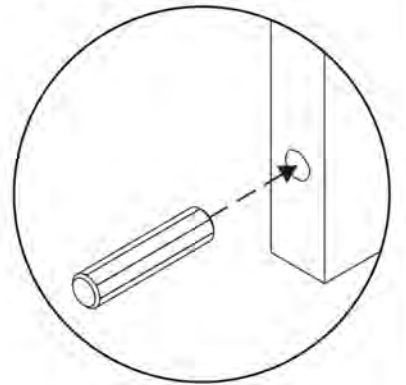


4

2x

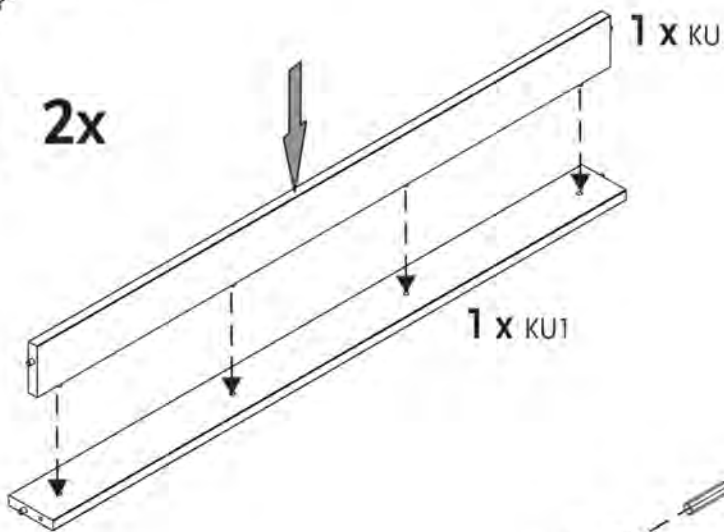


6 x WDH 8/30

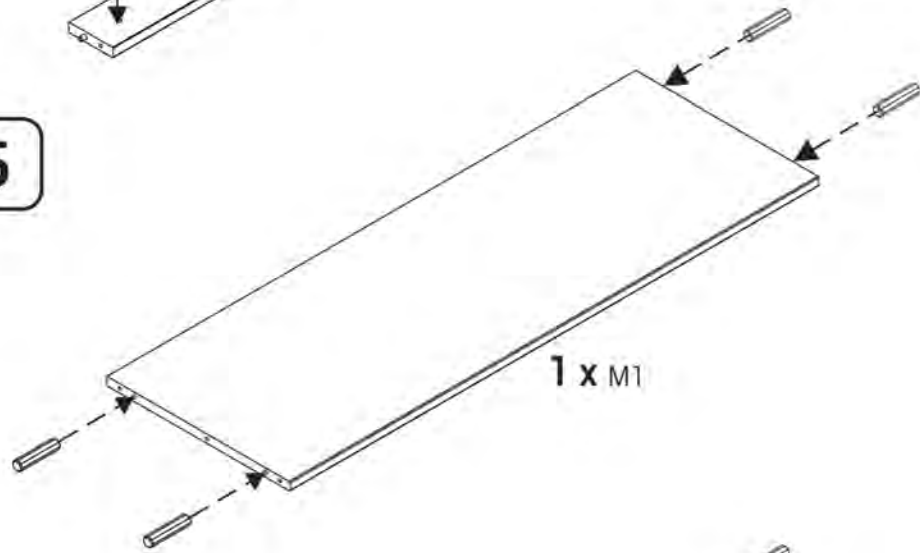


5

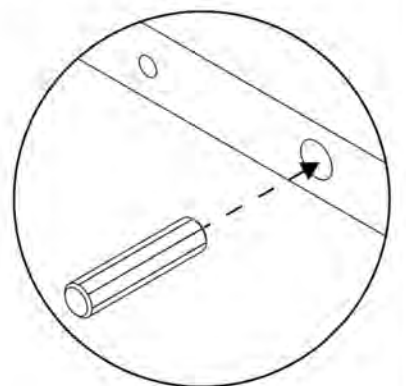
2x



6

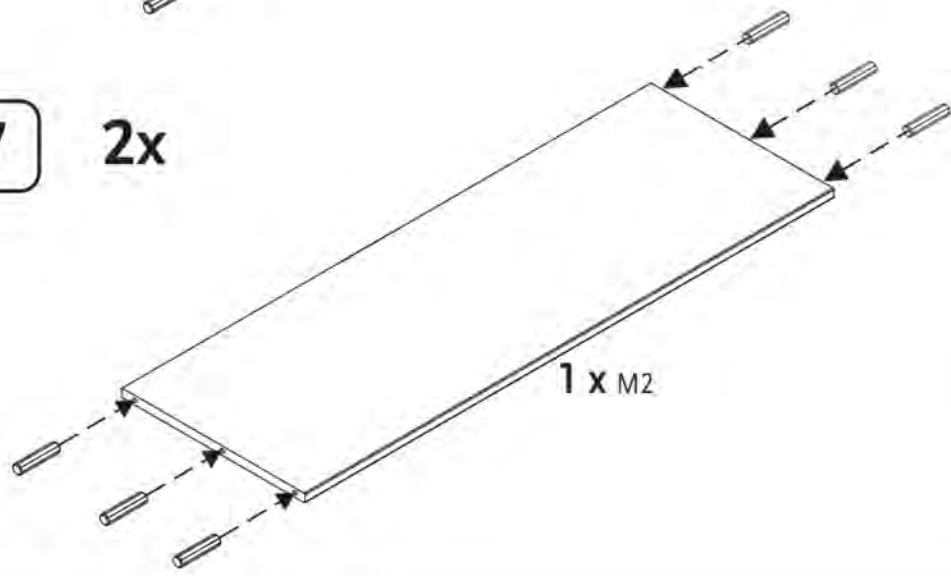


4 x WDH 8/30

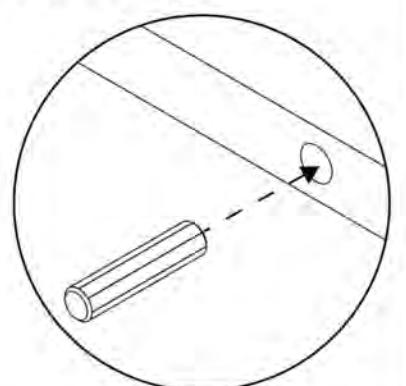


7

2x

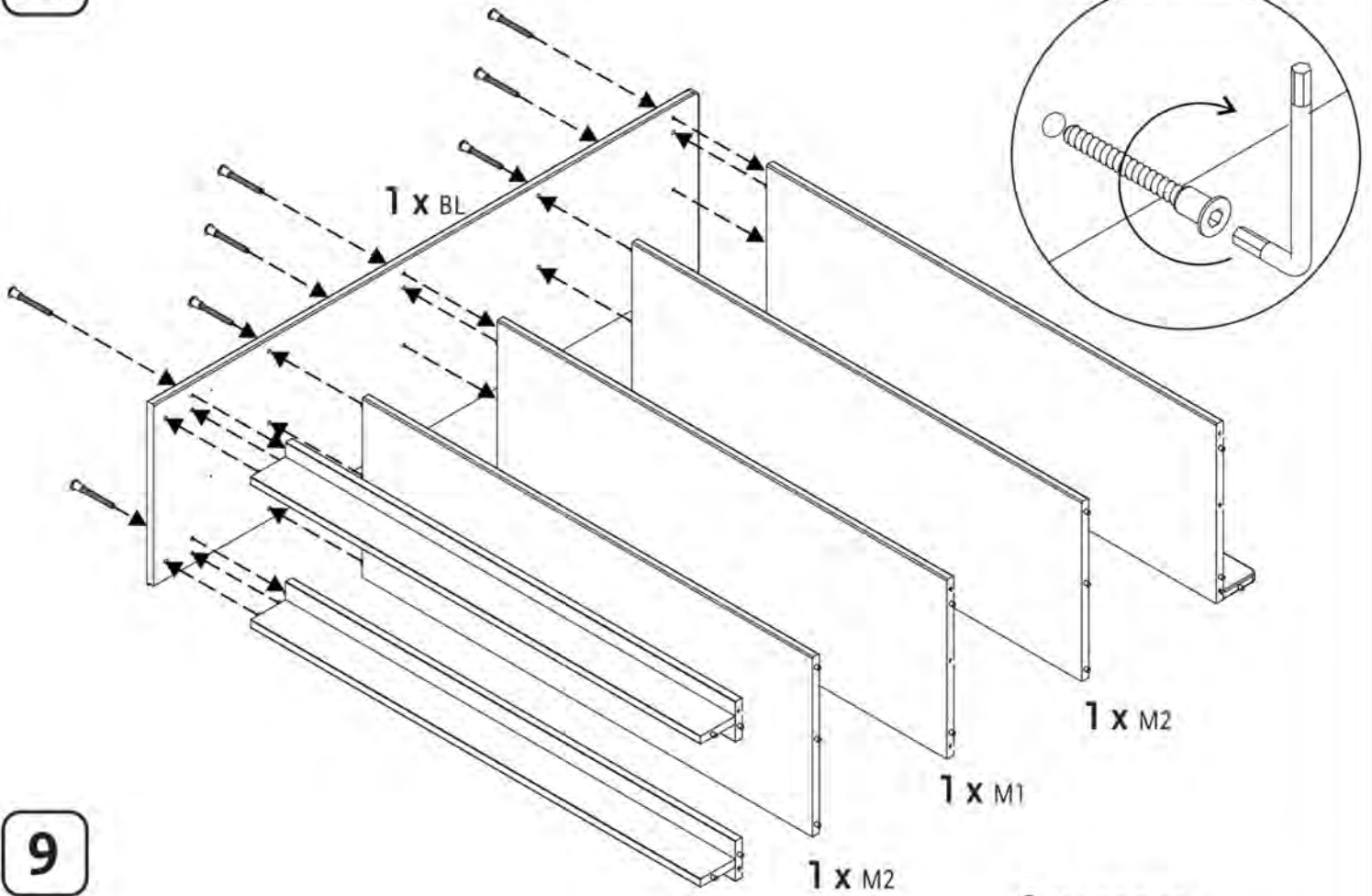


6 x WDH 8/30



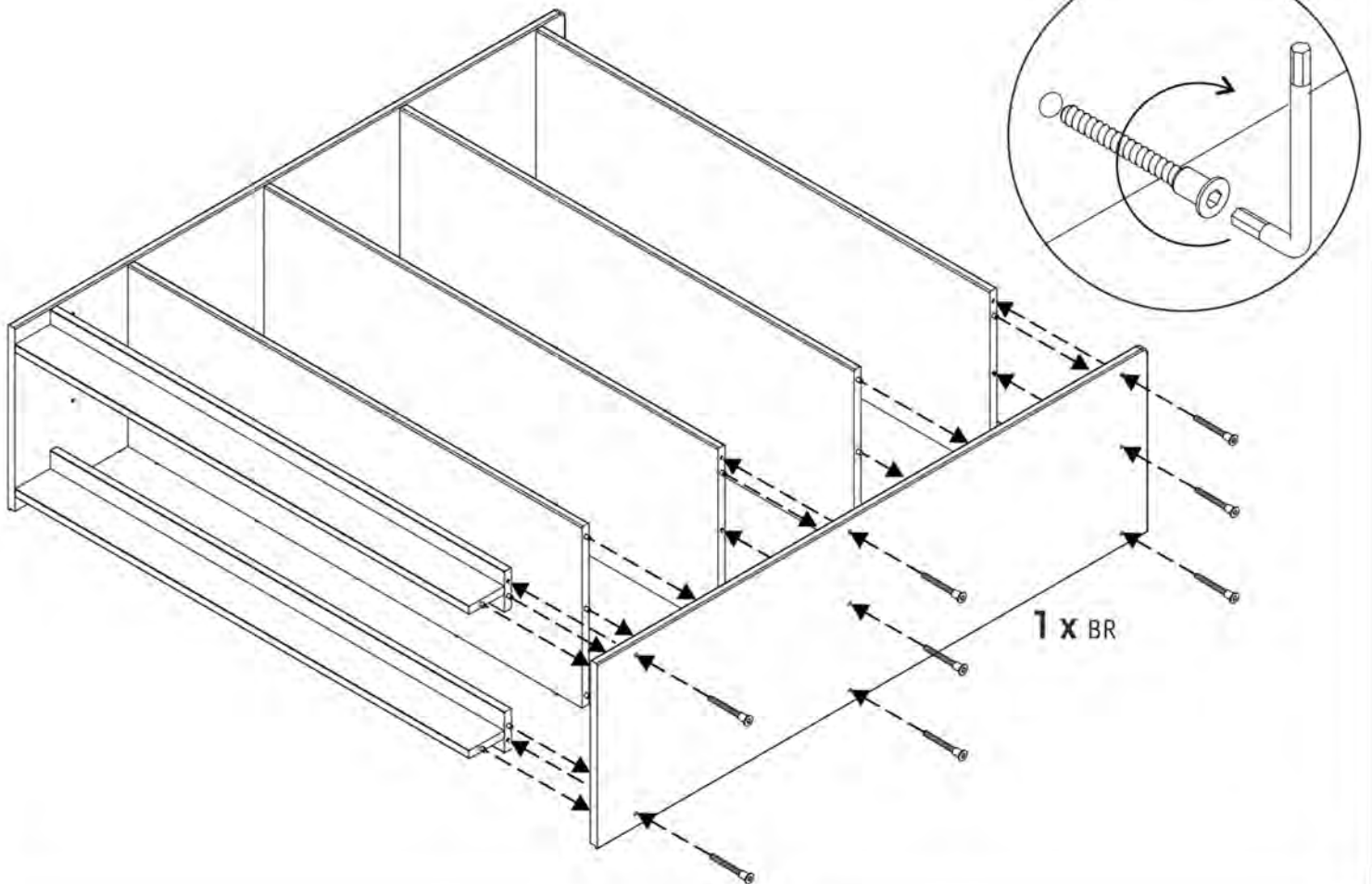
8

8 x VES 7/50

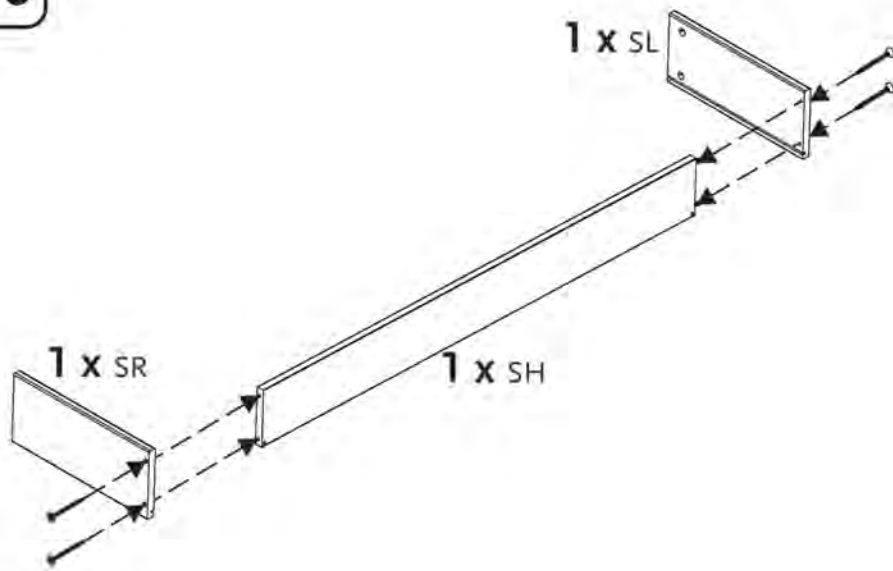


9

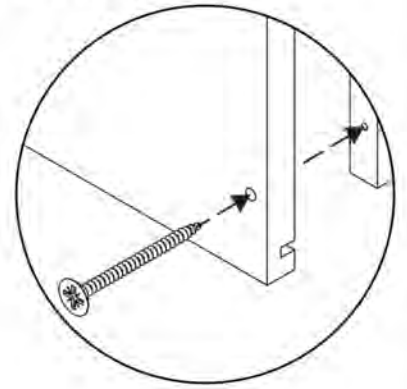
8 x VES 7/50



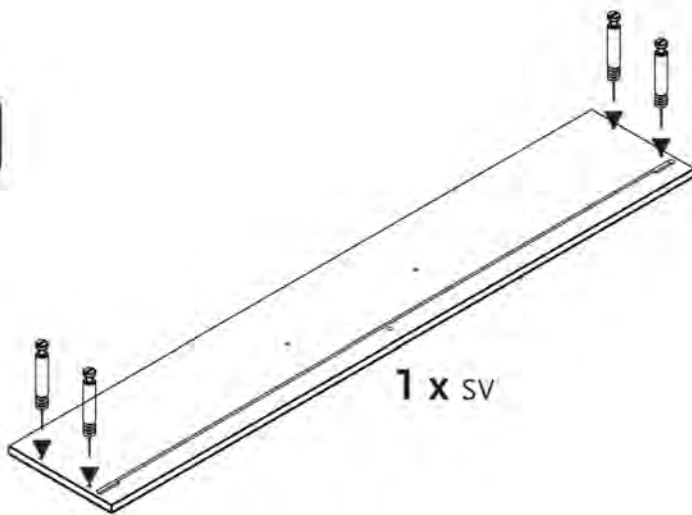
10



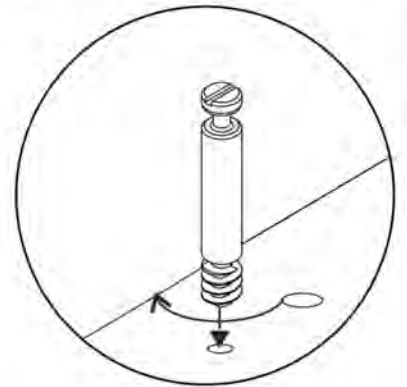
4 x VS 4/40



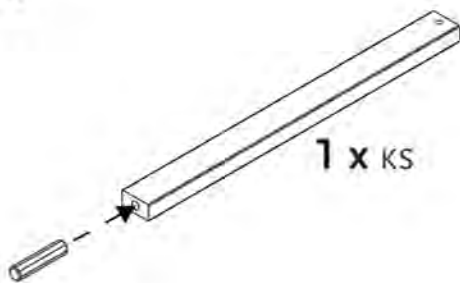
11



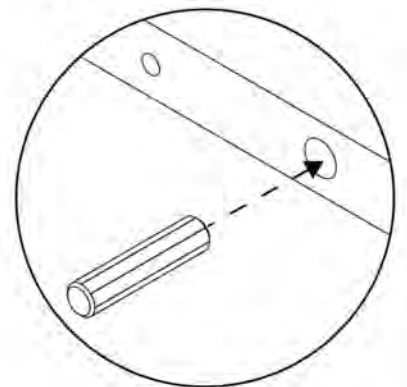
4 x WBC



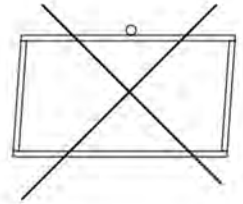
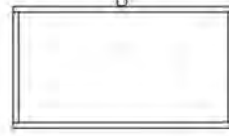
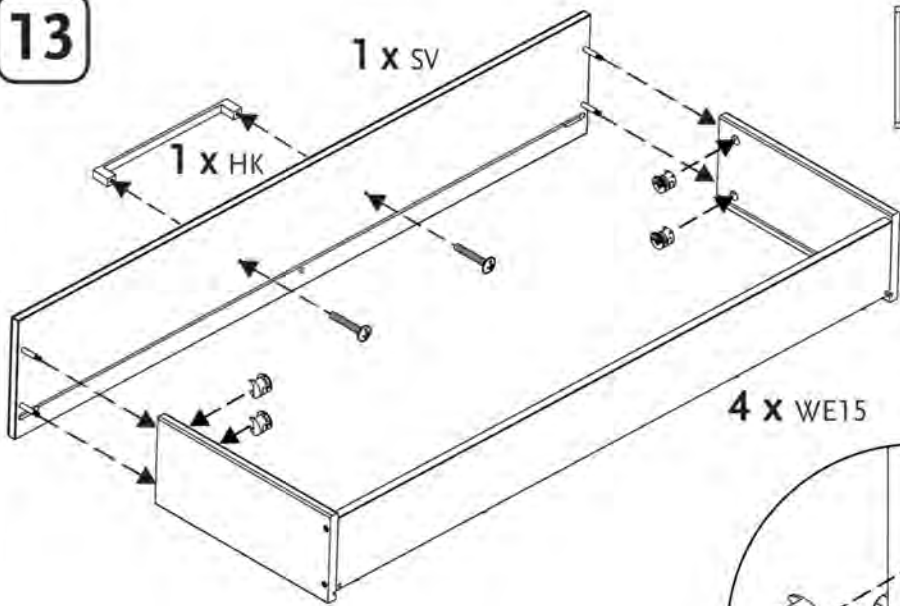
12



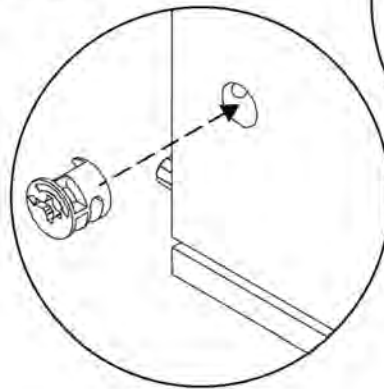
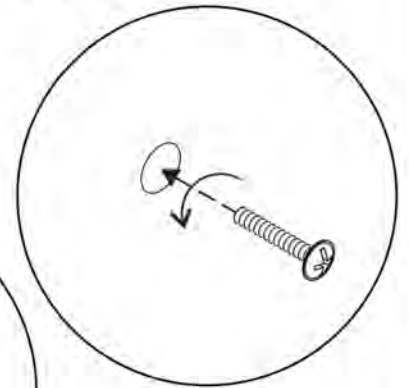
1 x WDH 8/30



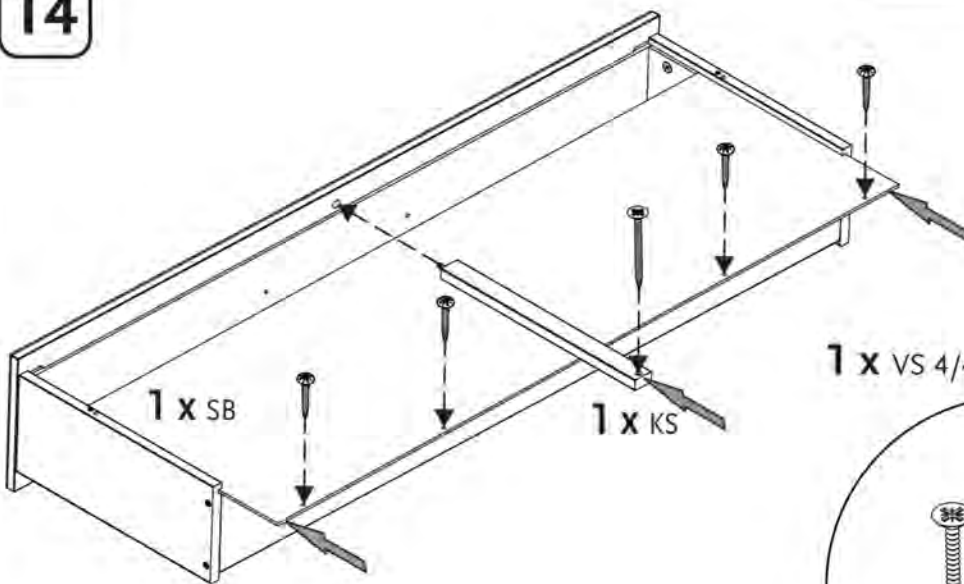
13



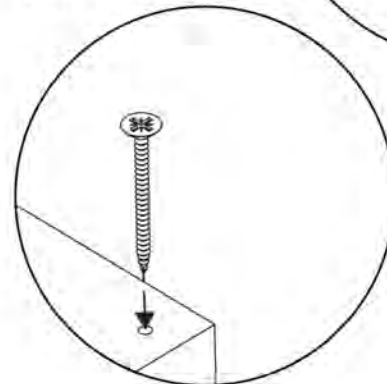
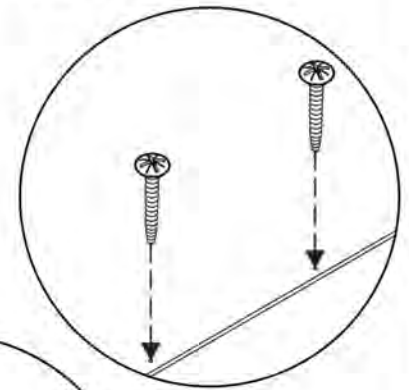
2 x VM 4/27



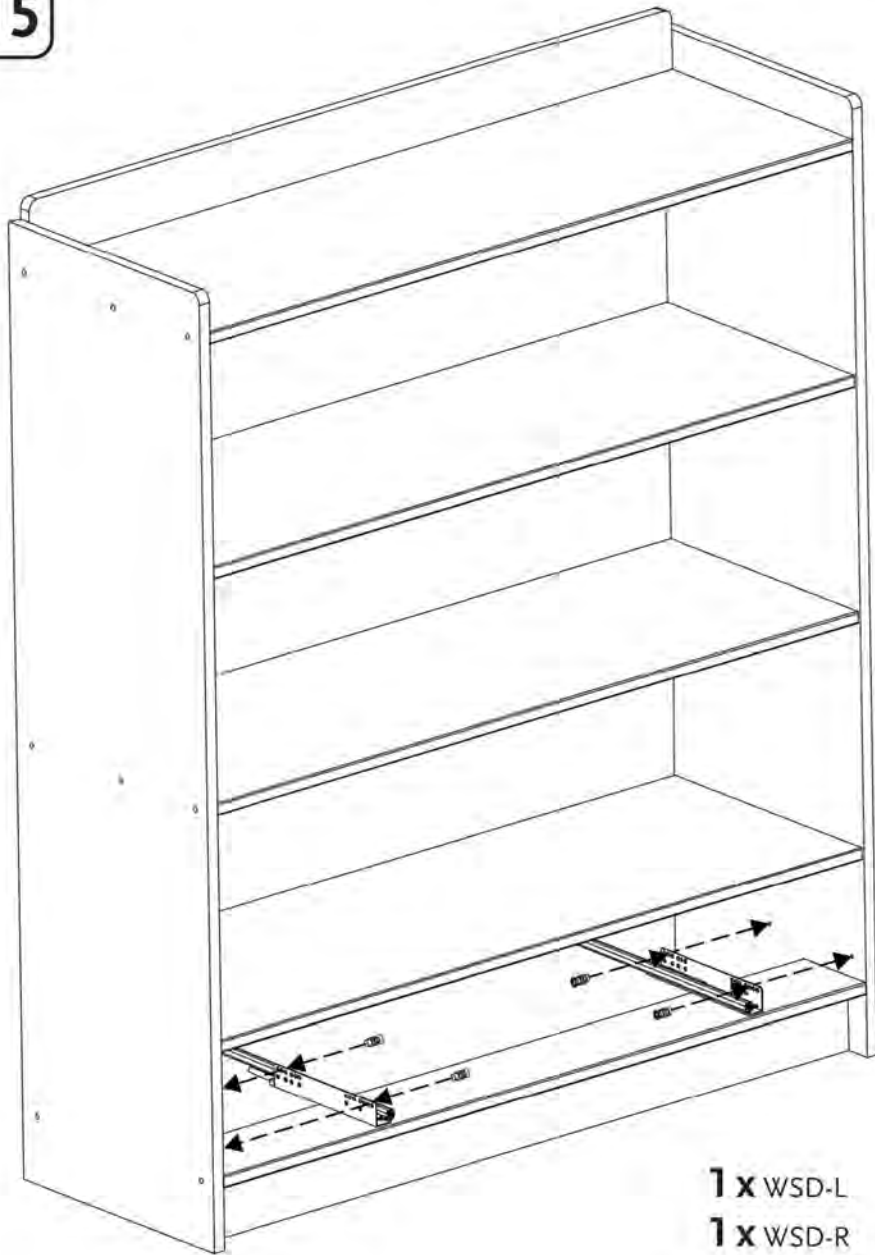
14



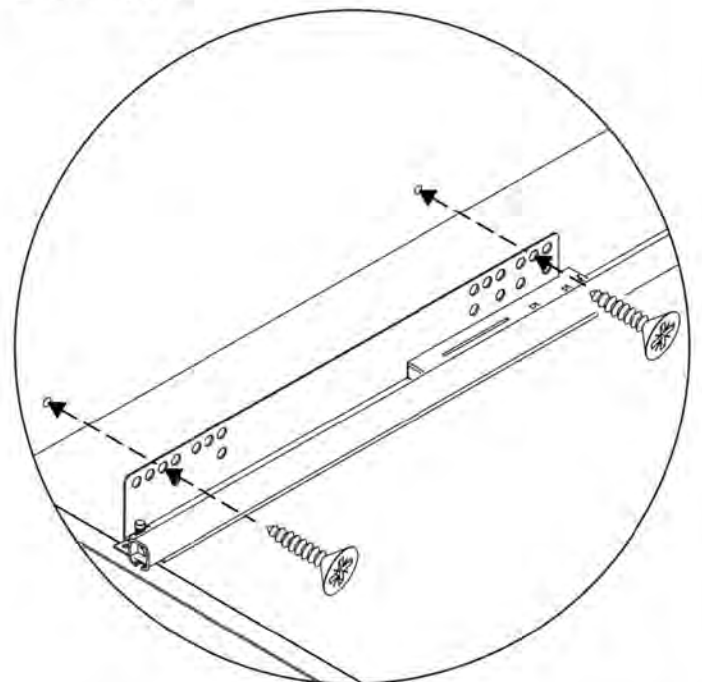
4 x VR 4/17



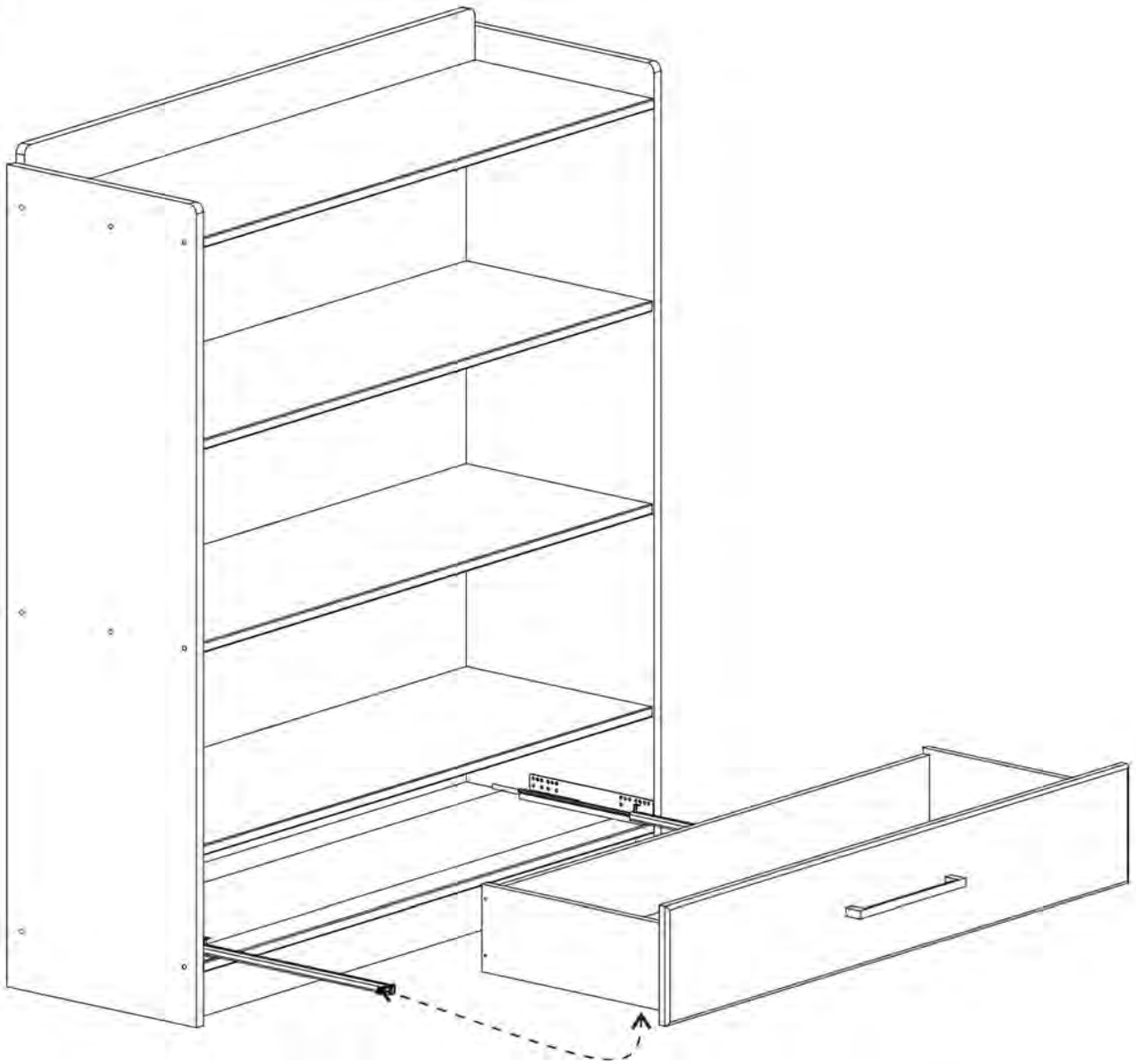
15



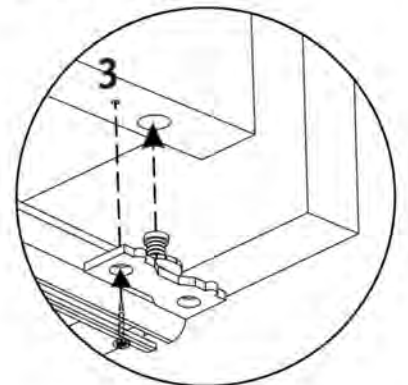
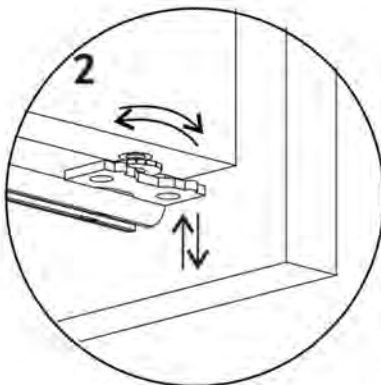
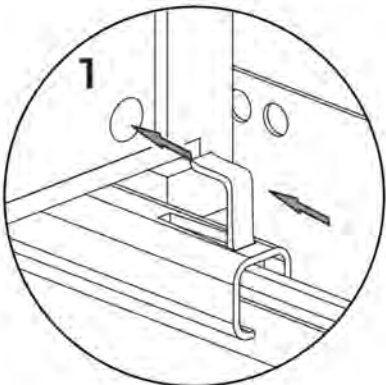
- 1 x WSD-L
- 1 x WSD-R
- 4 x VS 3,5/16



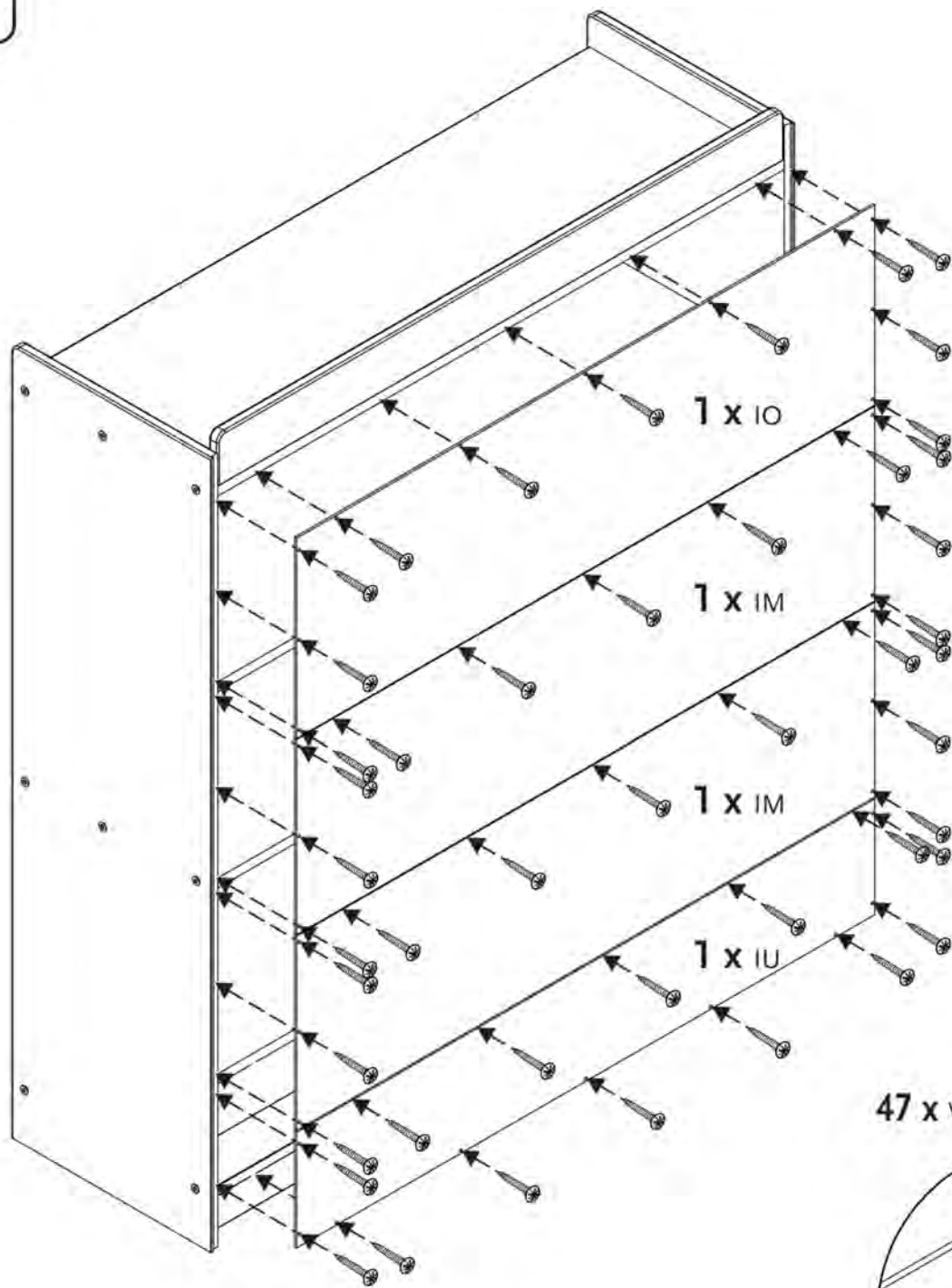
16



2 x VS 3,5/16



17



47 x VR 4/17

