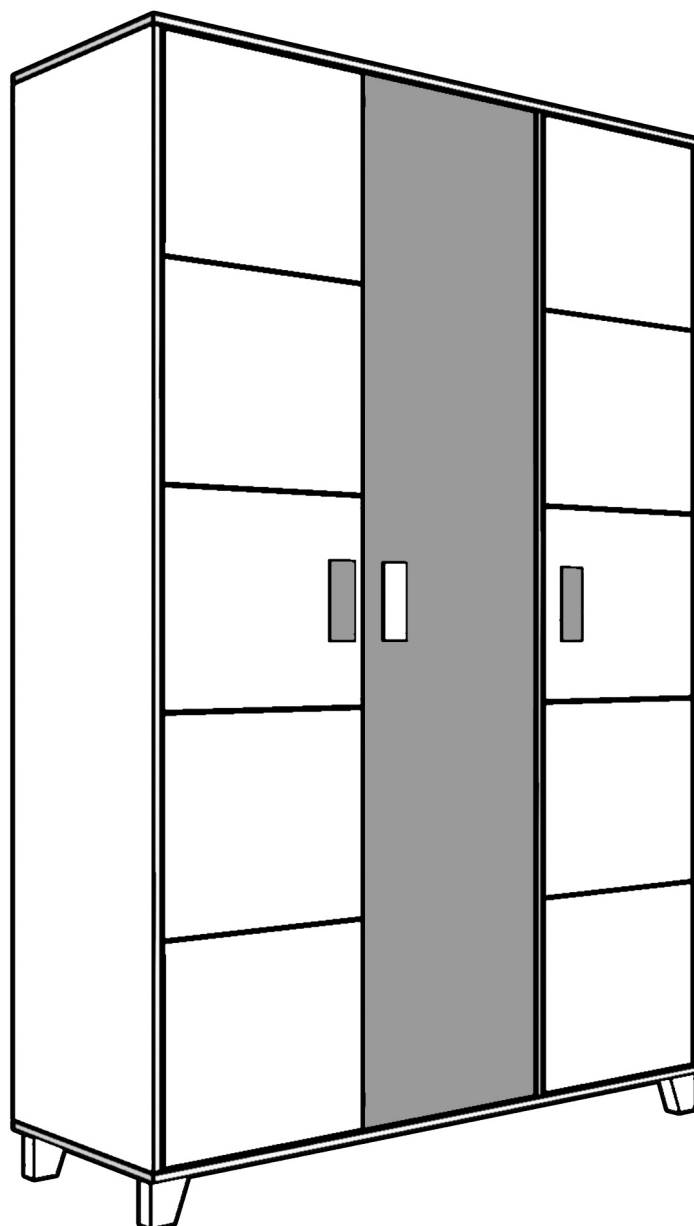
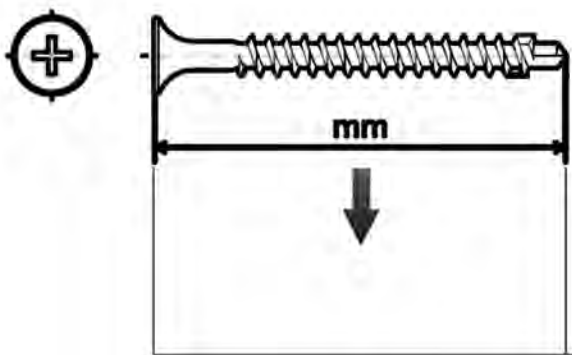
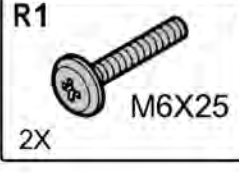
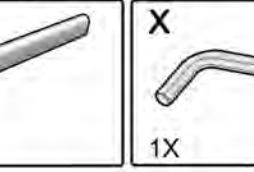
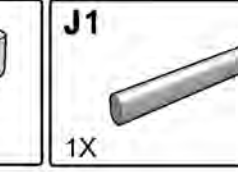
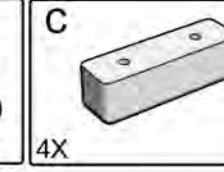
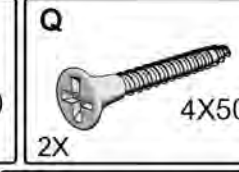
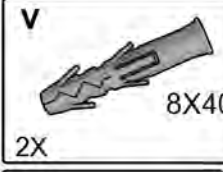
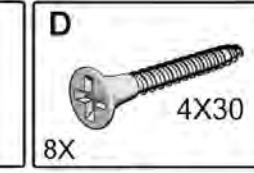
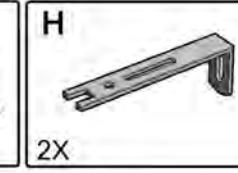
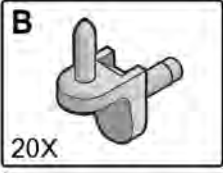
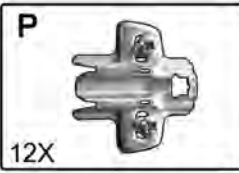
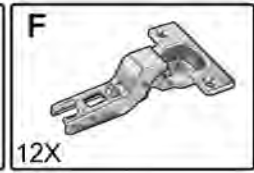
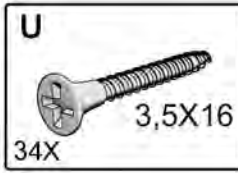
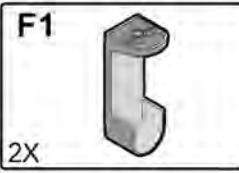
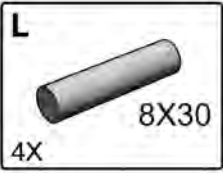


Підліткова шафа Rainbow 3-дверна

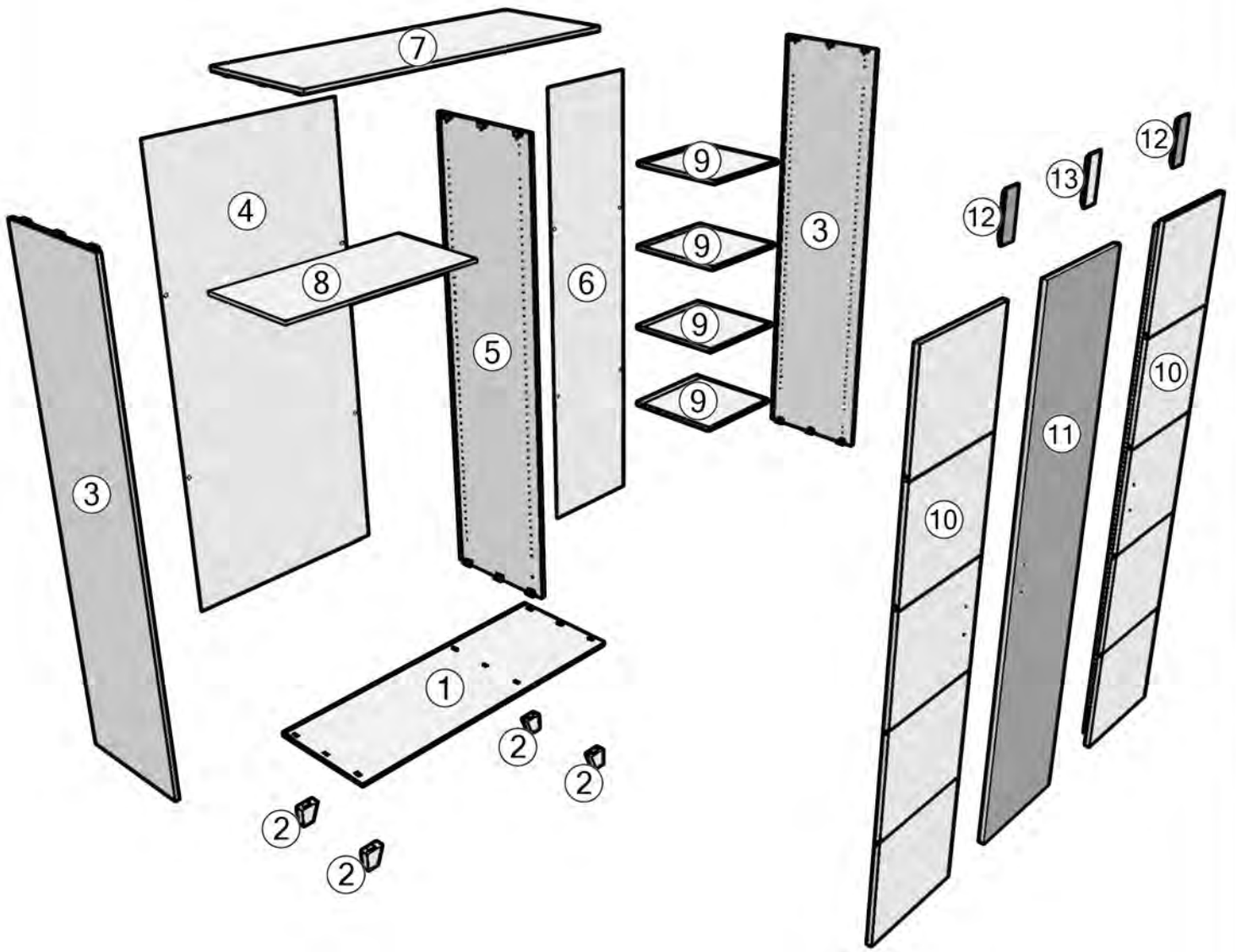


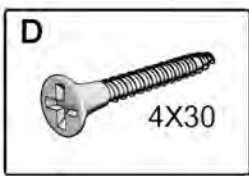
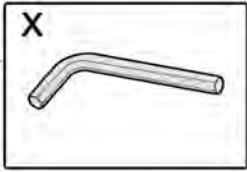


120min

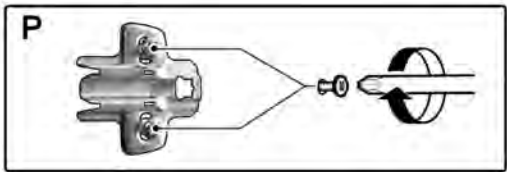
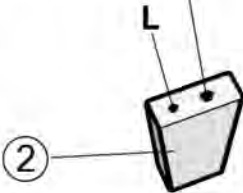
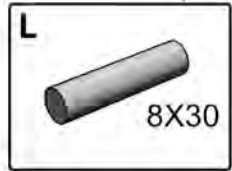
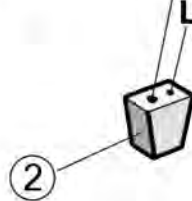
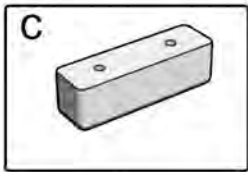
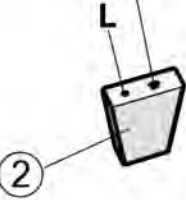
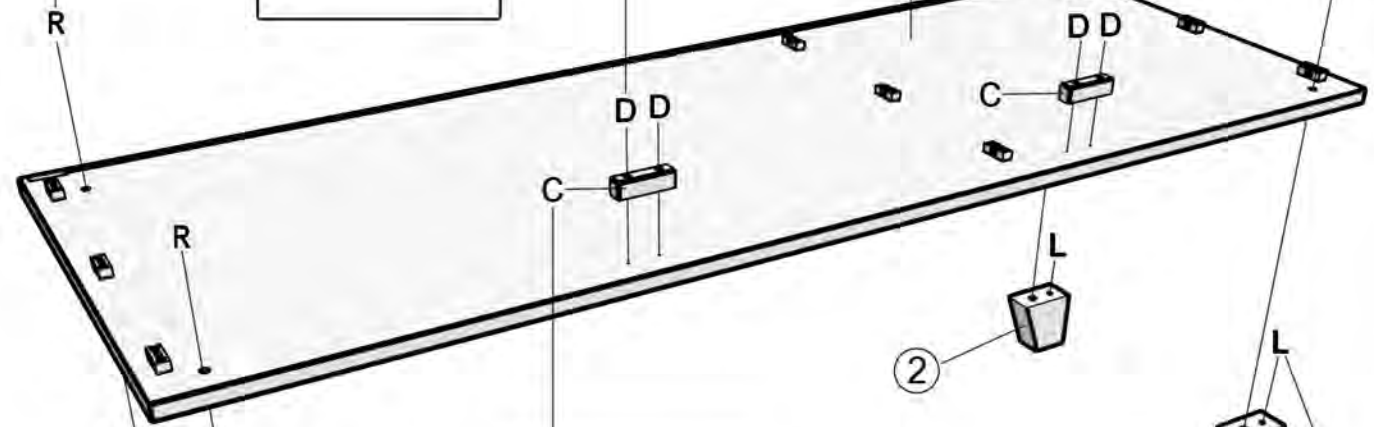
120min

Icons representing two people, a screwdriver, a hammer, a drill bit with diameter $\varnothing 8$, and a power drill.



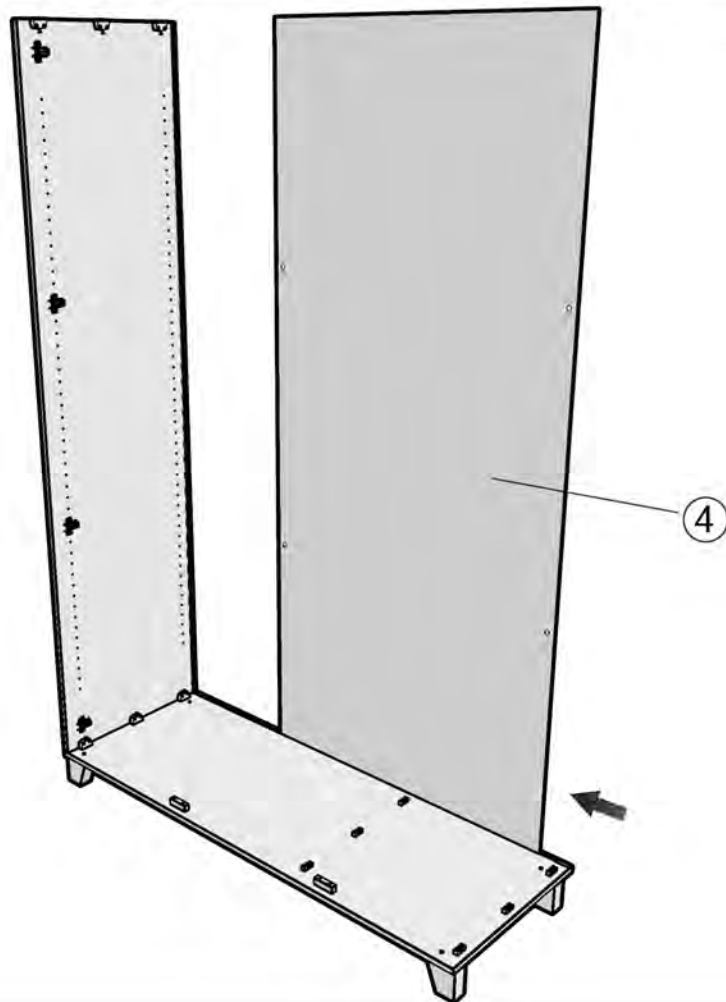
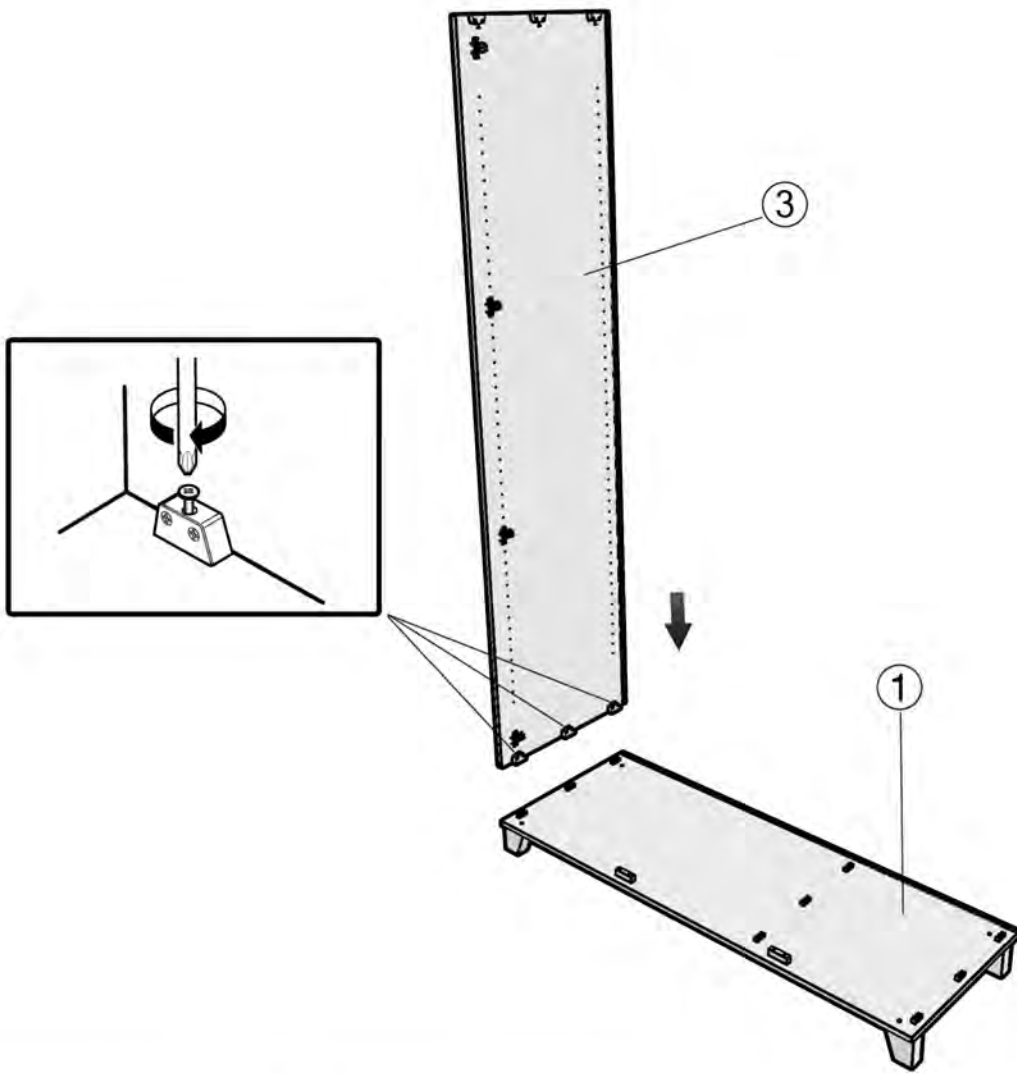


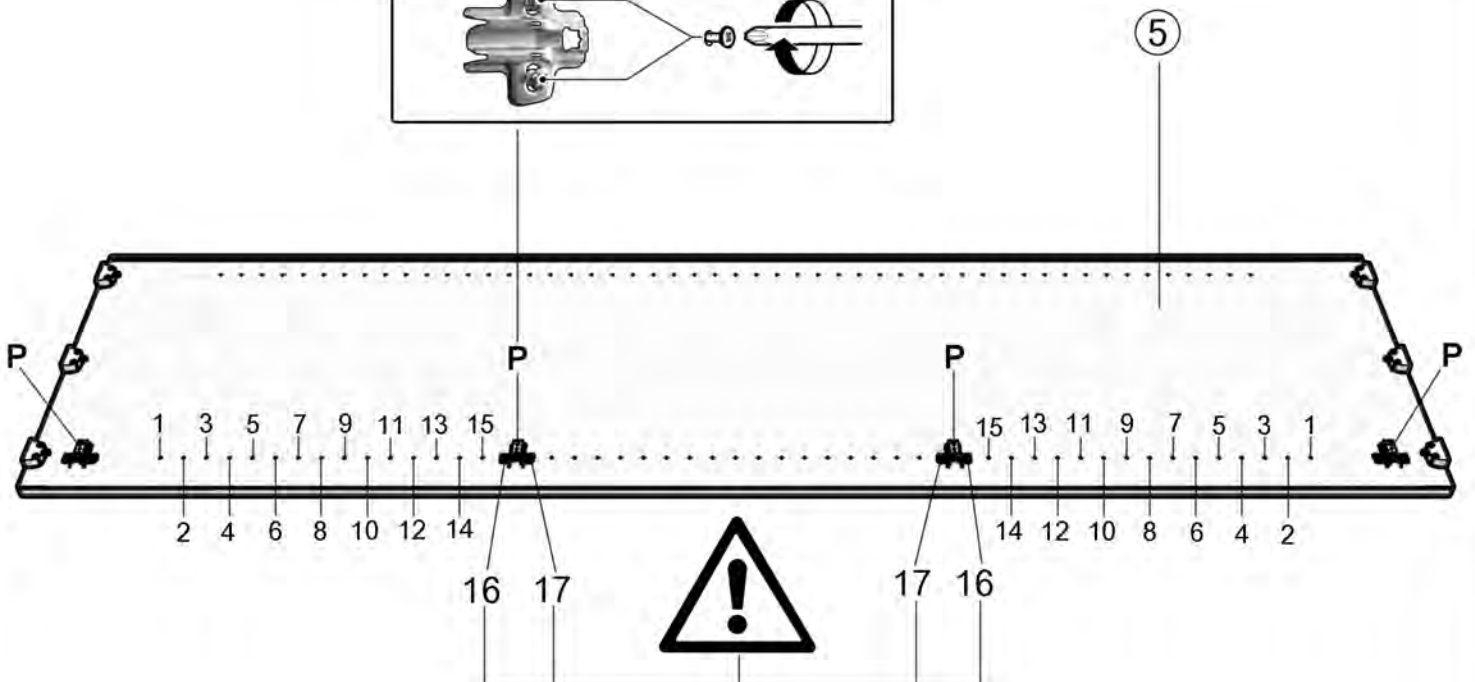
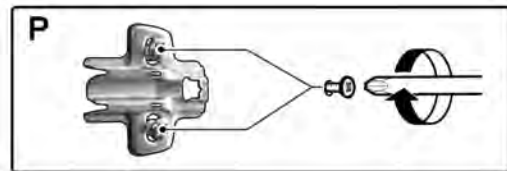
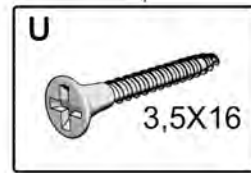
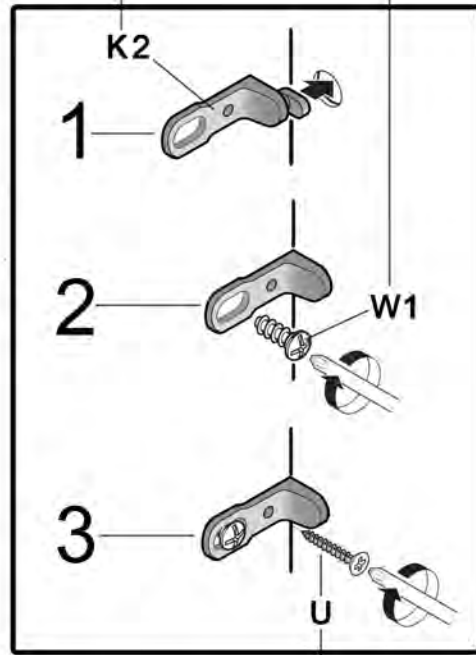
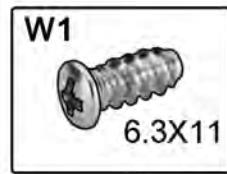
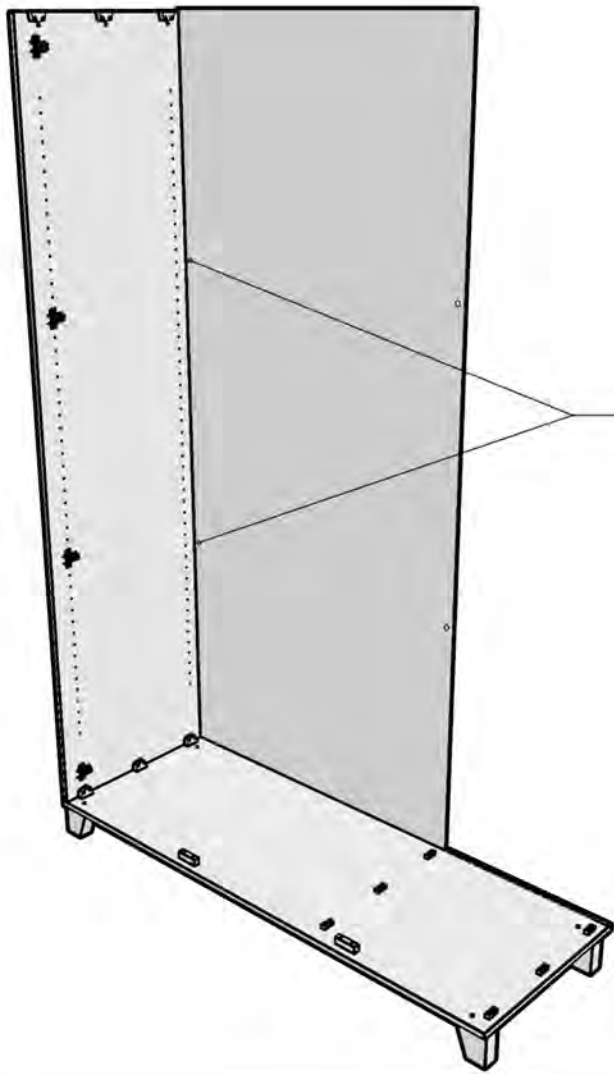
1

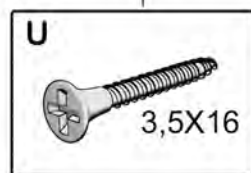
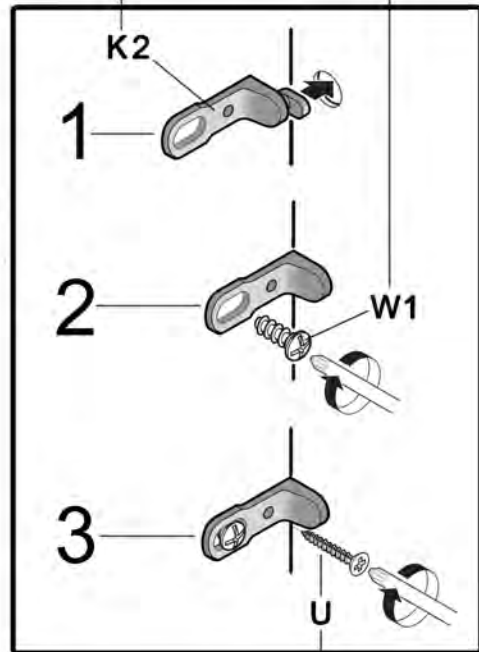
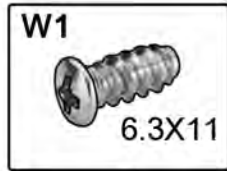
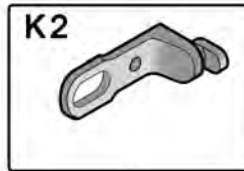
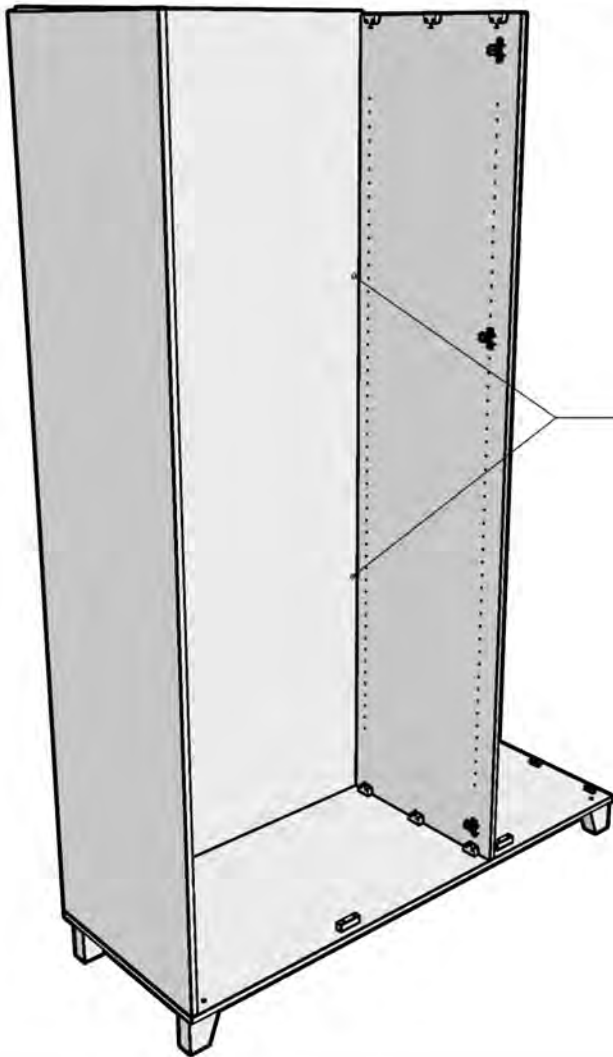
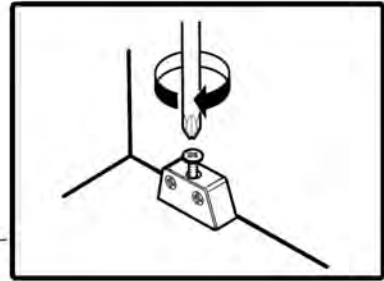
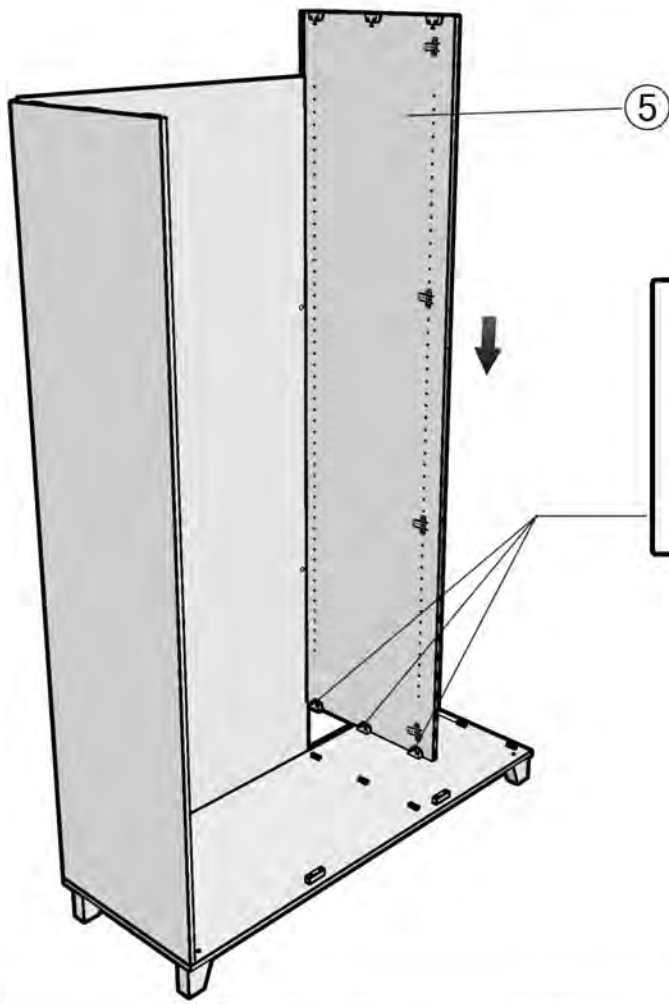


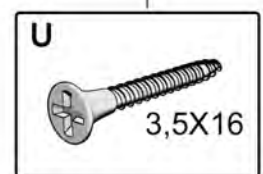
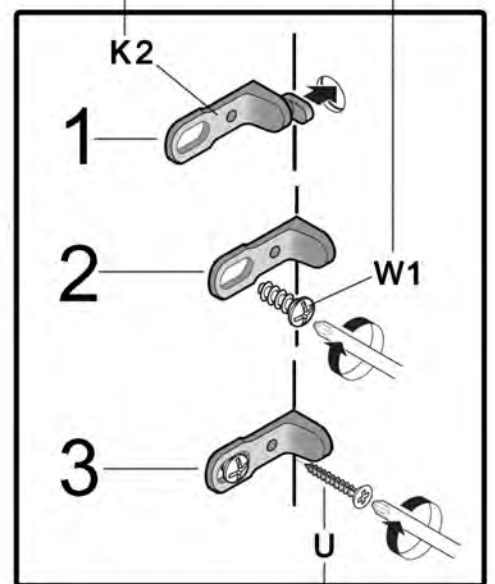
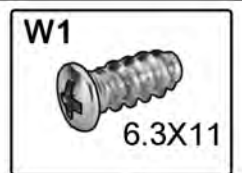
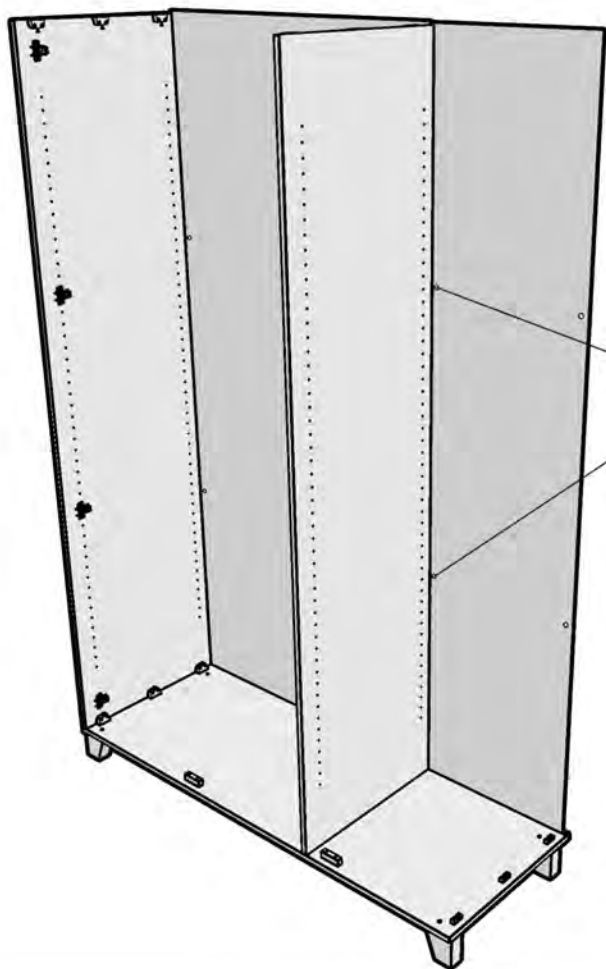
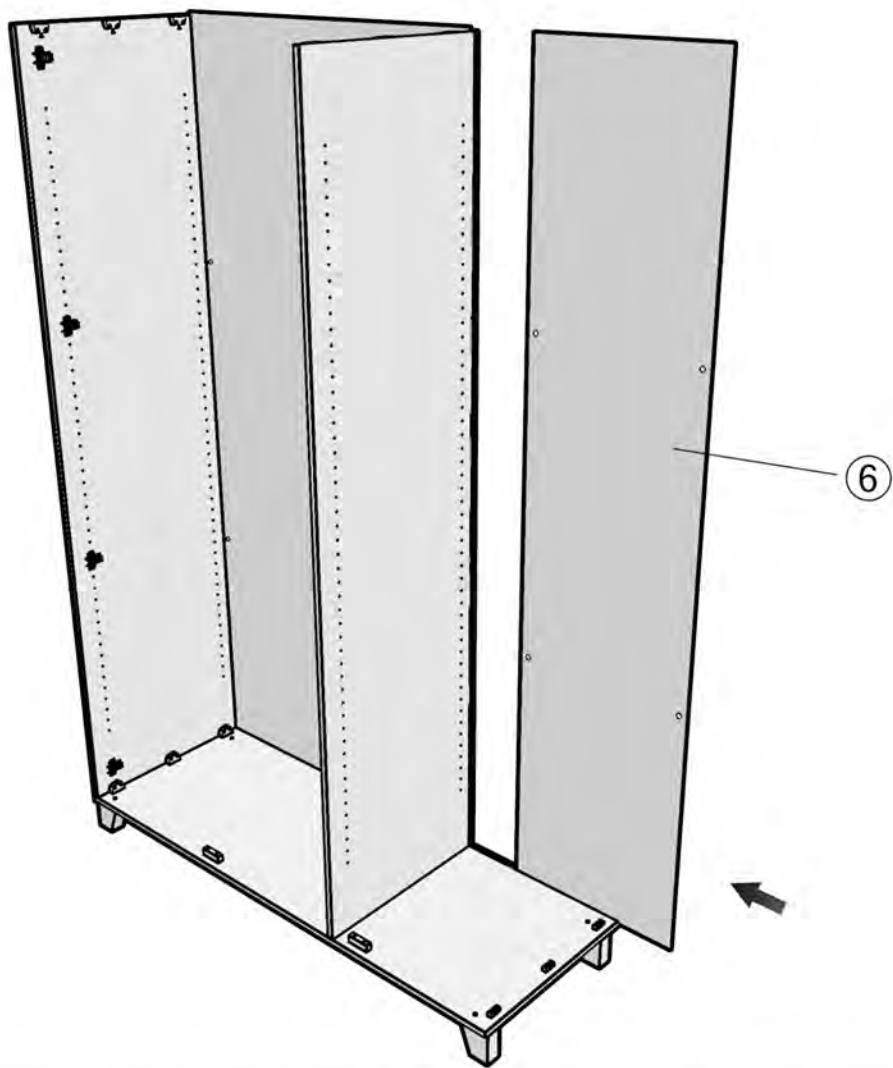
3

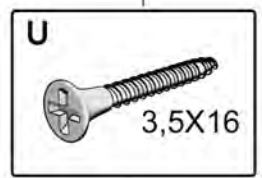
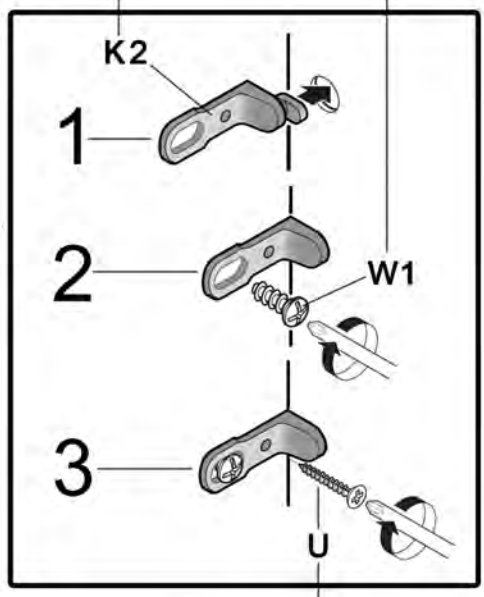
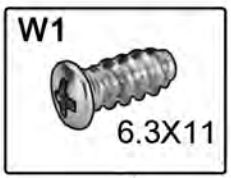
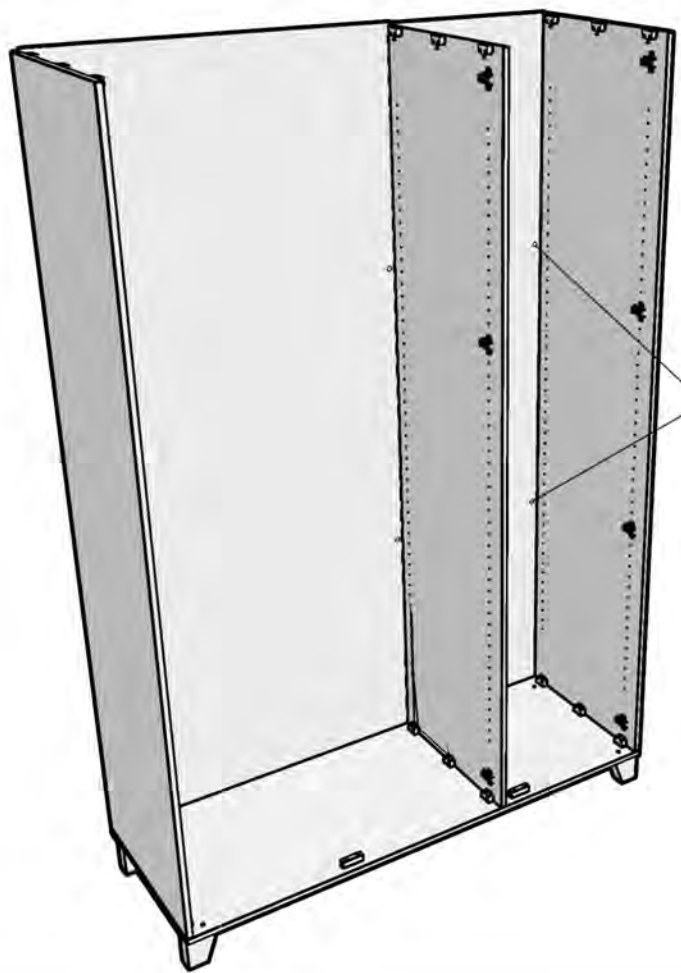
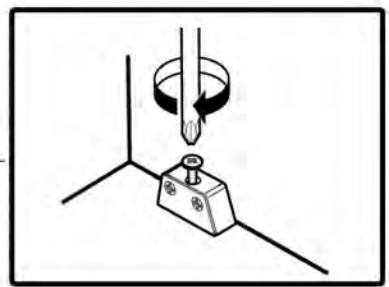
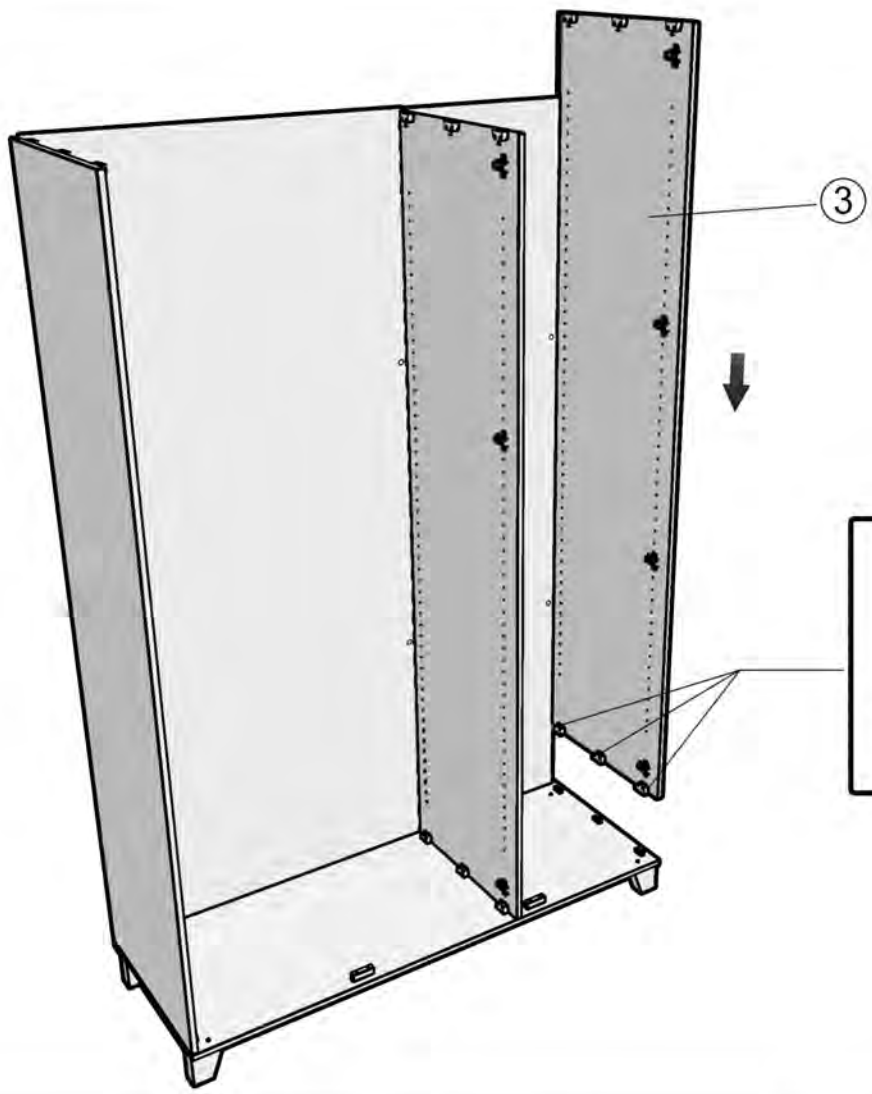












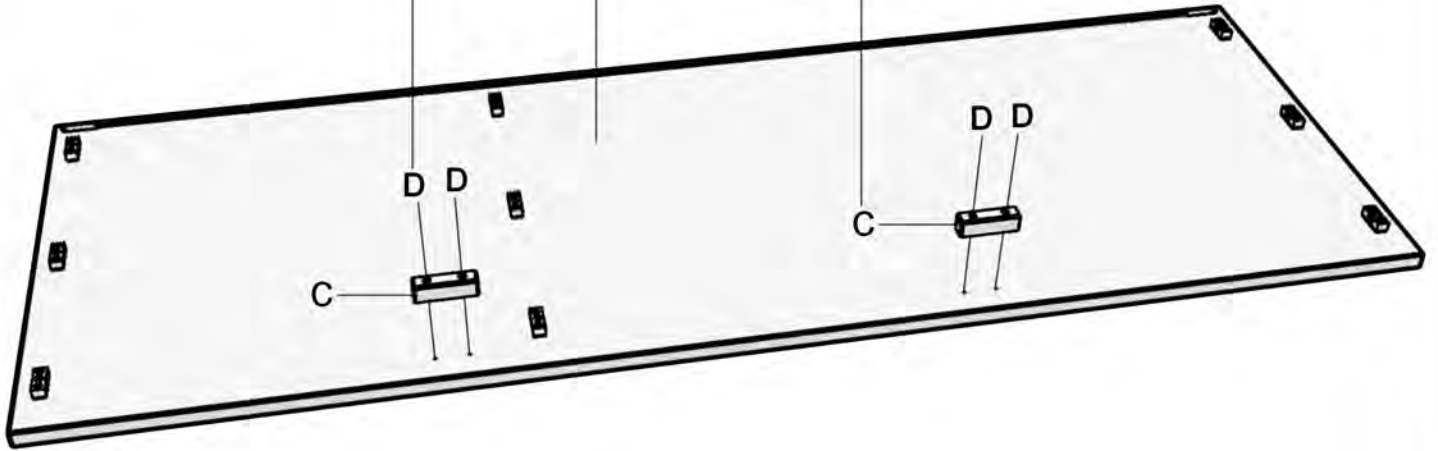
7

D

4X30



C



U

3,5X16



H



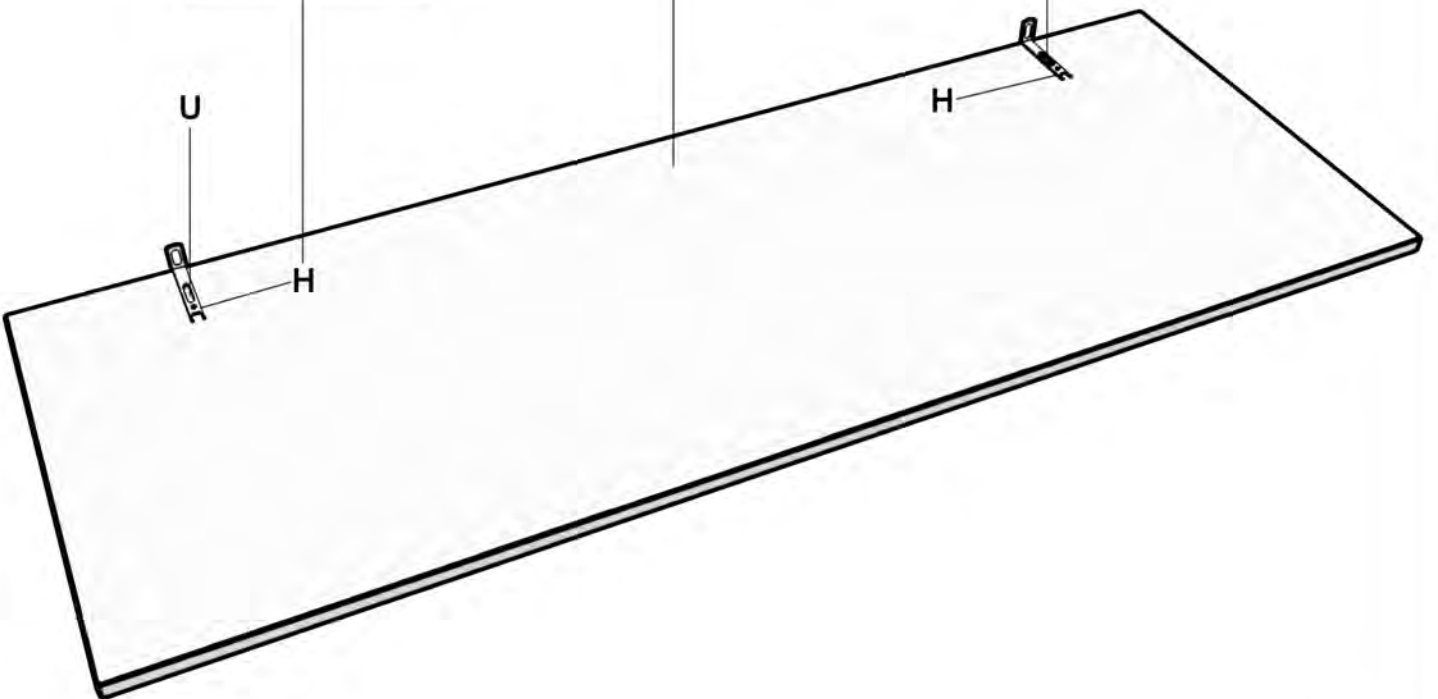
7

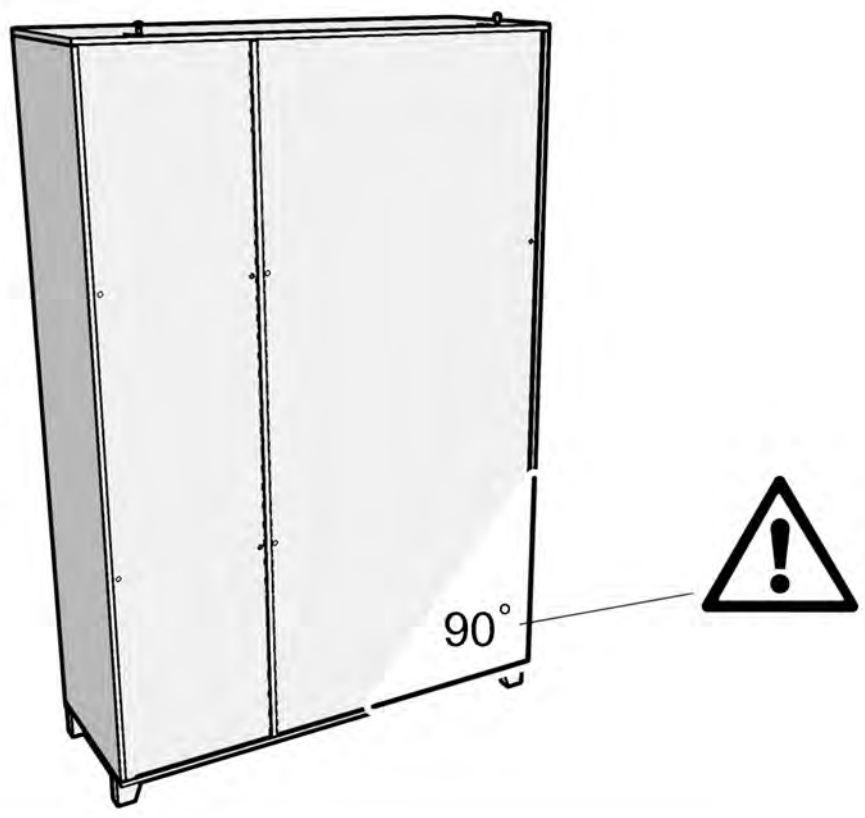
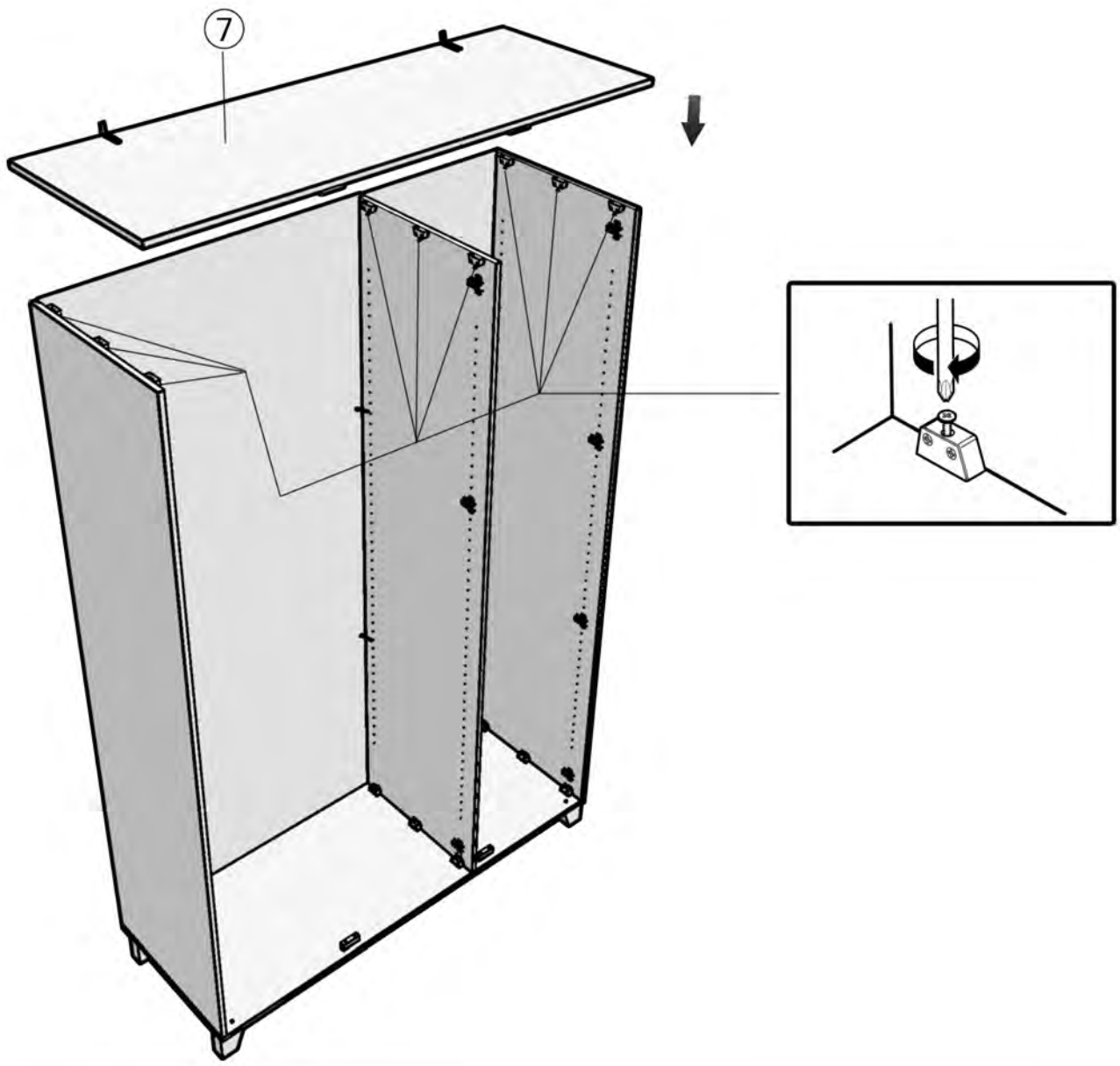
U

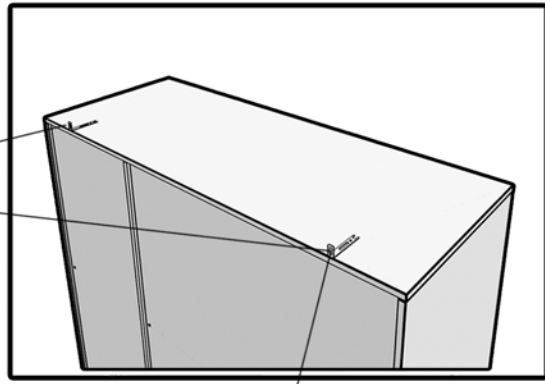
H

U

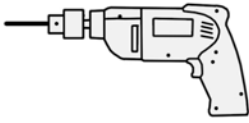
H



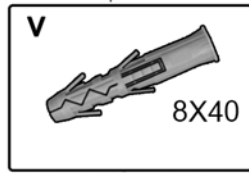
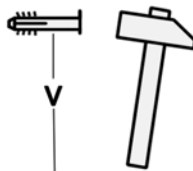




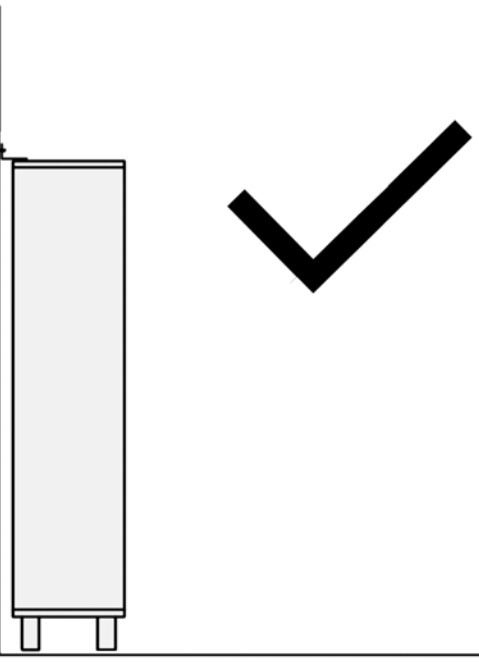
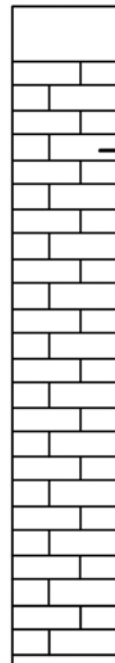
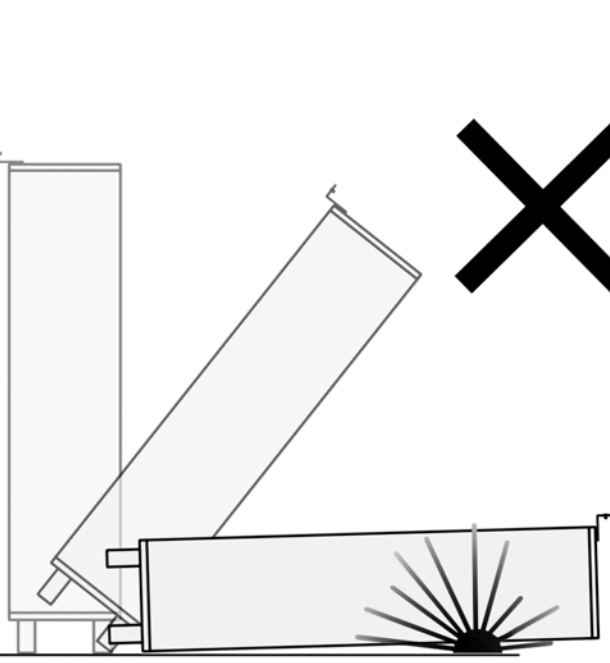
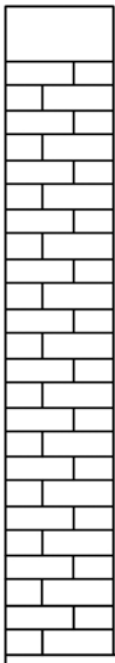
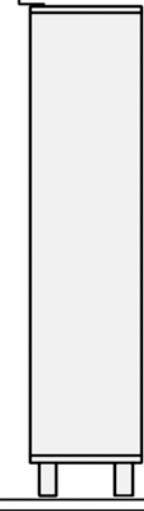
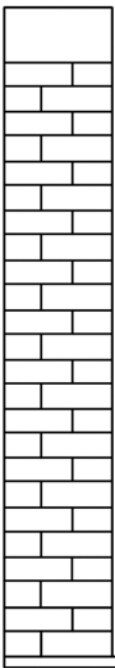
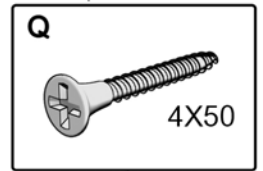
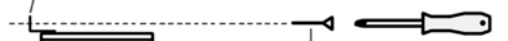
1

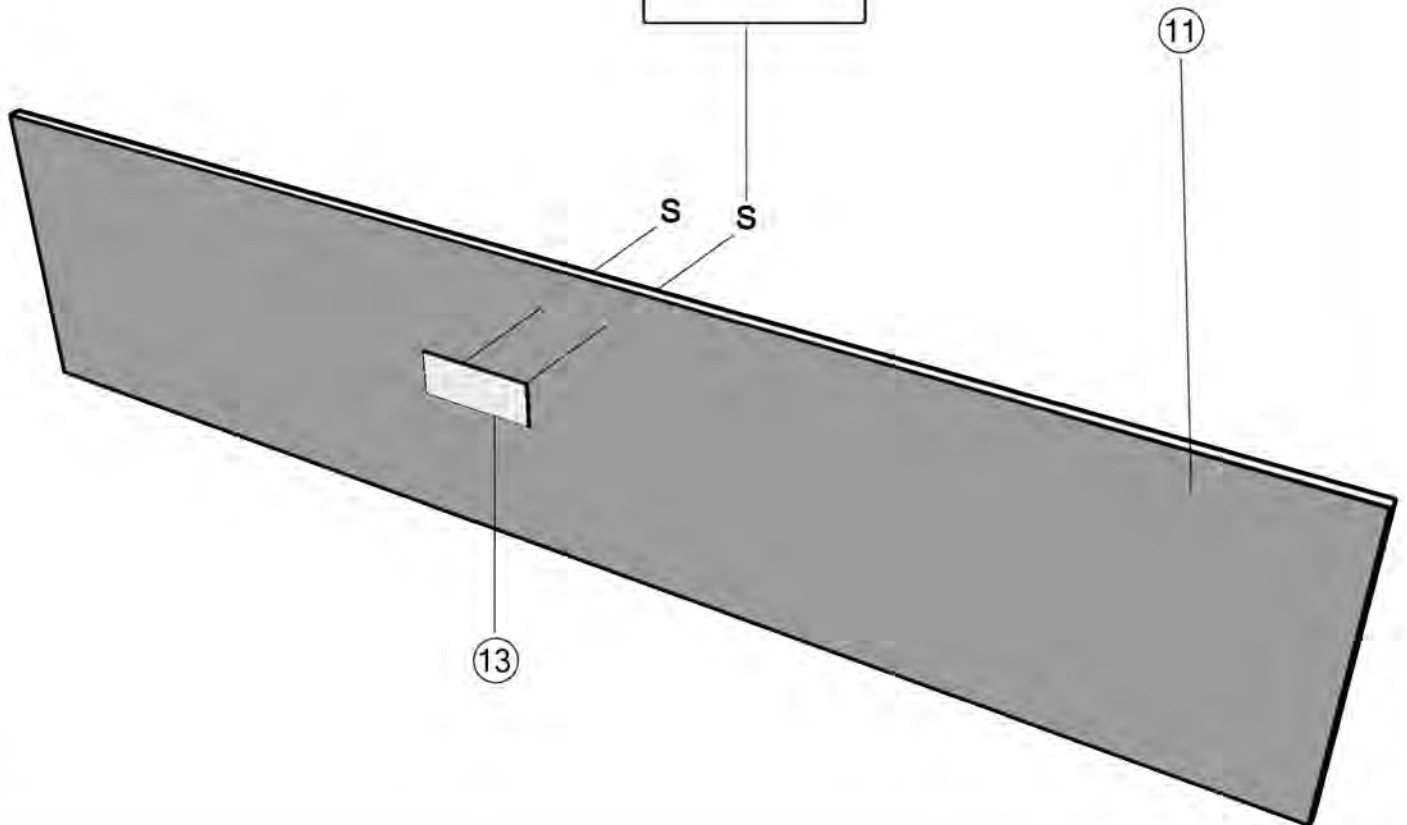
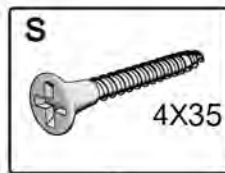
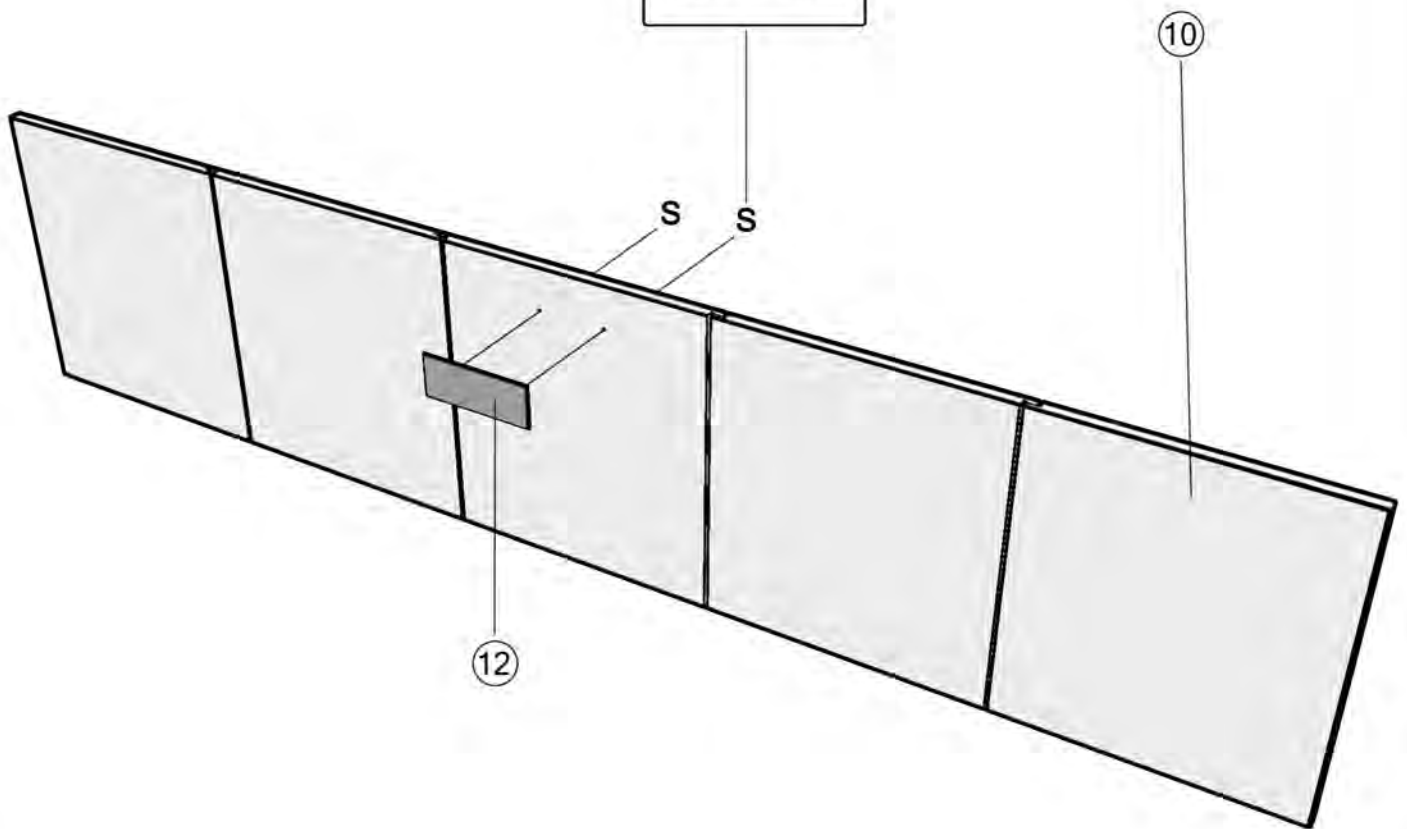
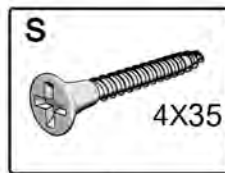


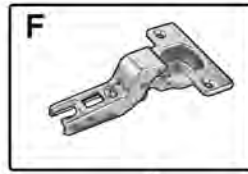
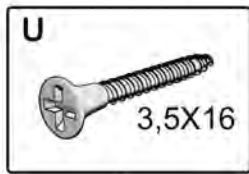
2



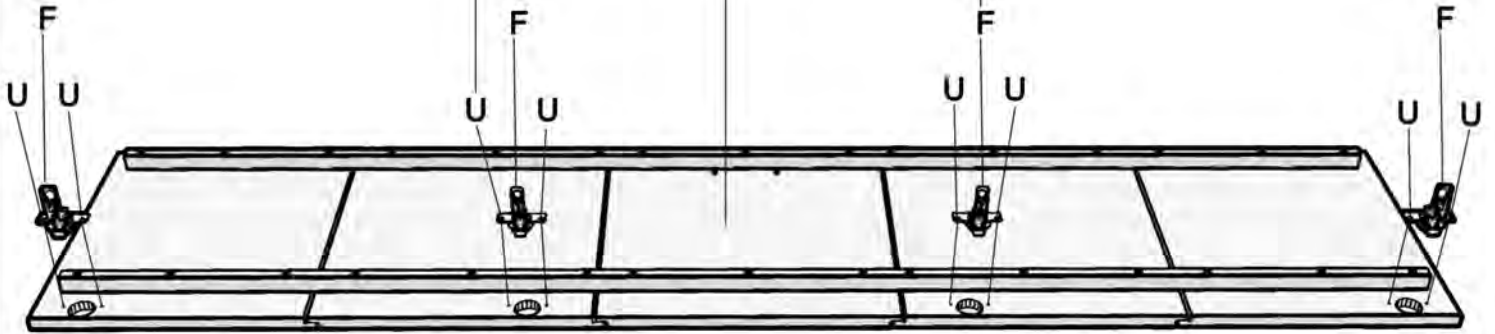
3







10



11



