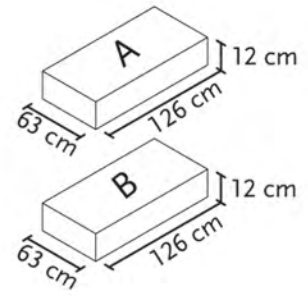
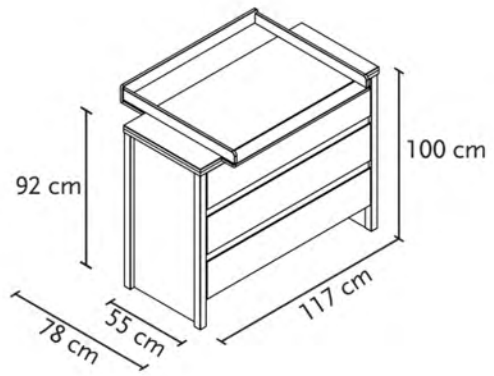




Комод-пеленатор Алрака 100



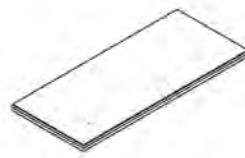




1 x BL



1 x BR



1 x G



1 x GTH



1 x GTV



1 x KUH



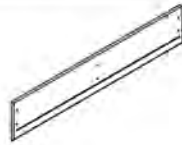
3 x KUV



2 x I



1 x KI



1 x SVO



2 x SV



1 x SA



6 x SL/R



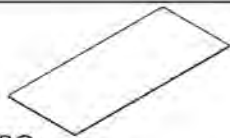
1 x SHO



2 x SH



1 x SB



2 x SBO



2 x KUS



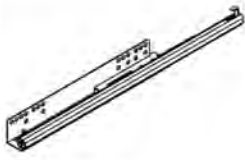
1 x KOH



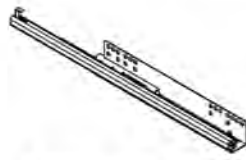
2 x KOL/R



21 x WDH 8/30



3 x WSD-L



3 x WSD-R



12 x VSC 6,3/9



17 x WBE



17 x WE 16



14 x VS 4/40



12 x WBC



12 x WE 15



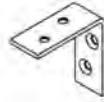
50 x VR 4,2/13



13 x VES 7/50



6 x VS 3,5/16



1 x EML



1 x WDK 6

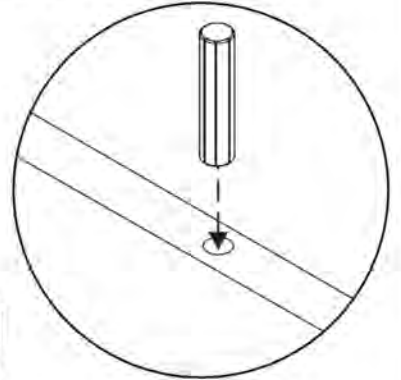


1 x W1 4

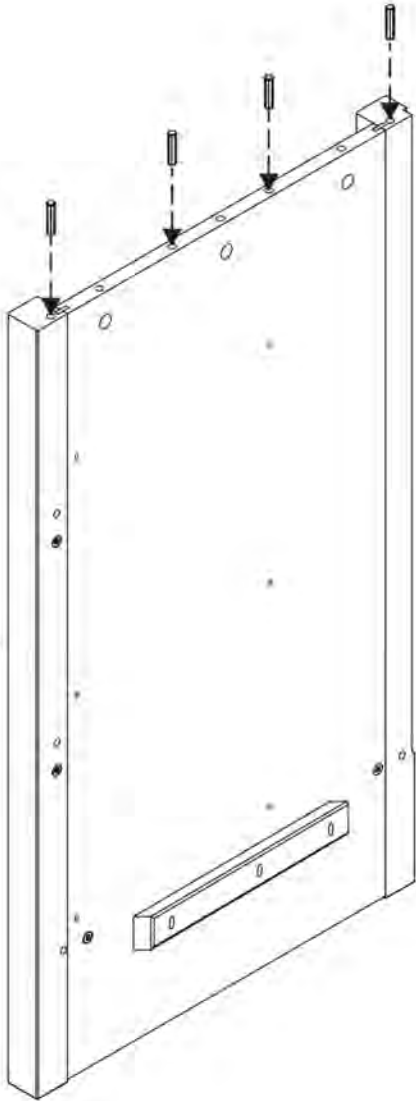


1

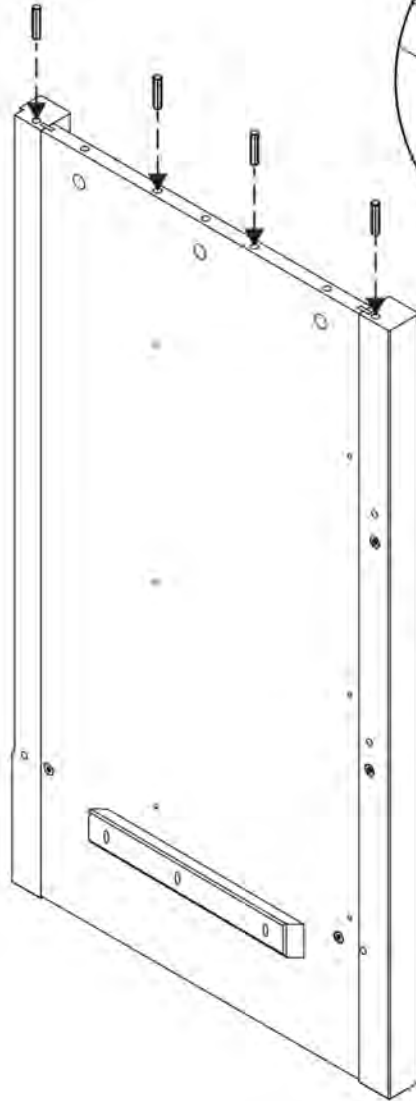
8 x WDH 8/30



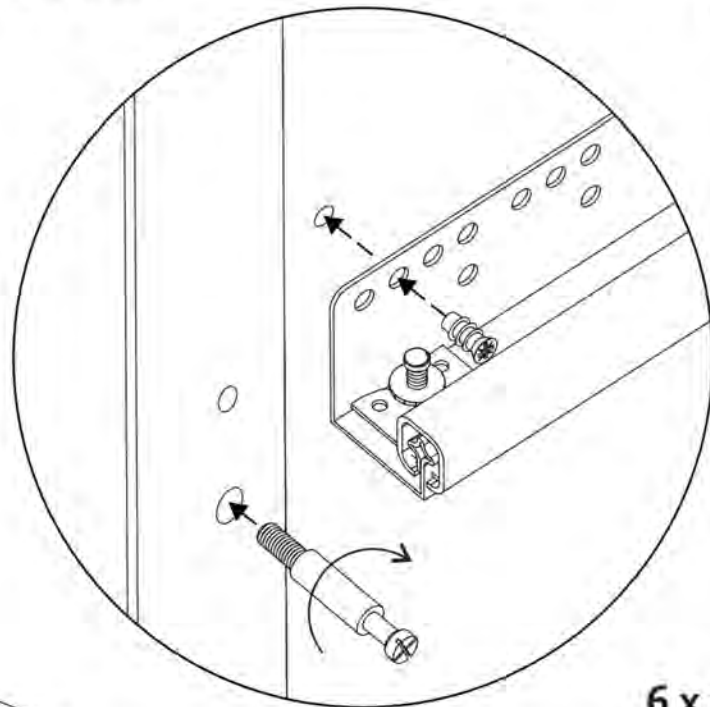
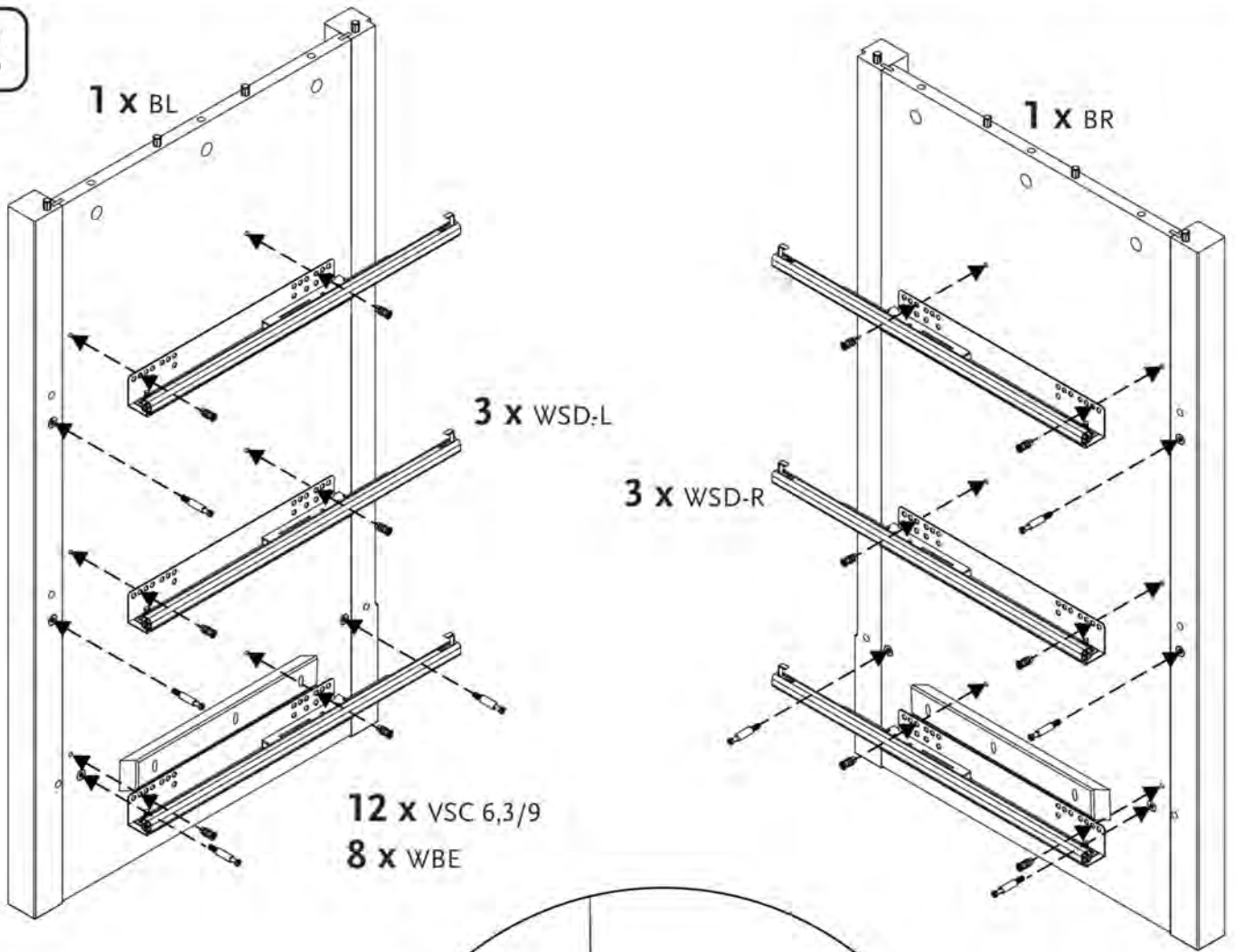
1 x BL



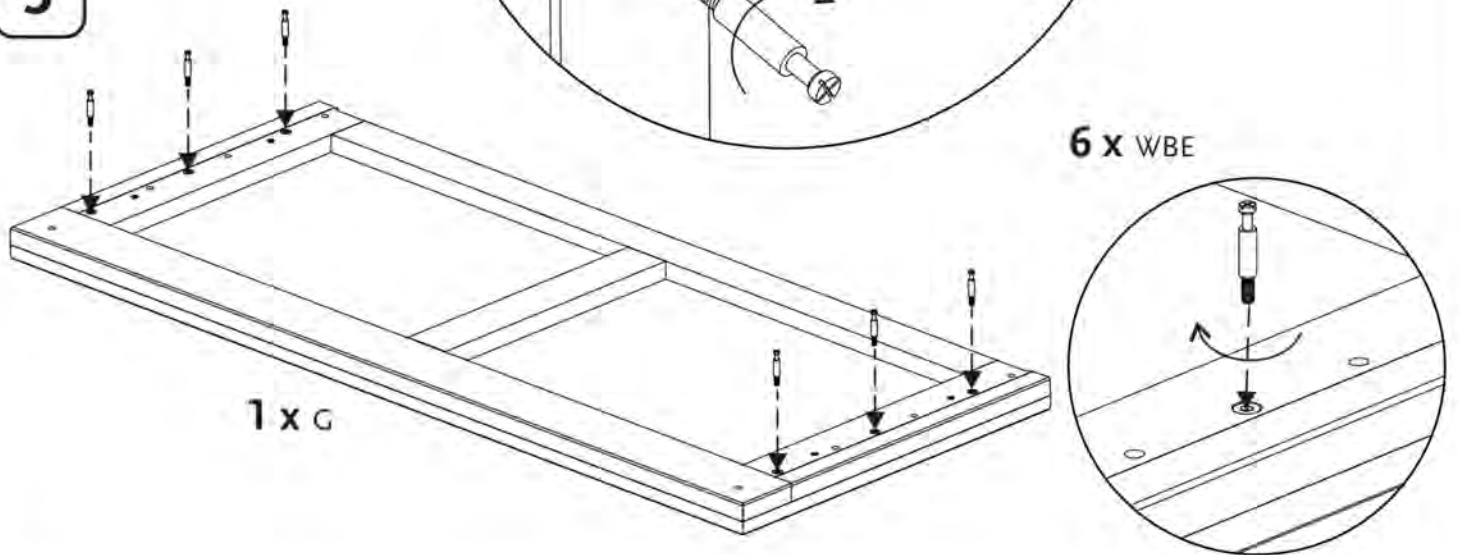
1 x BR



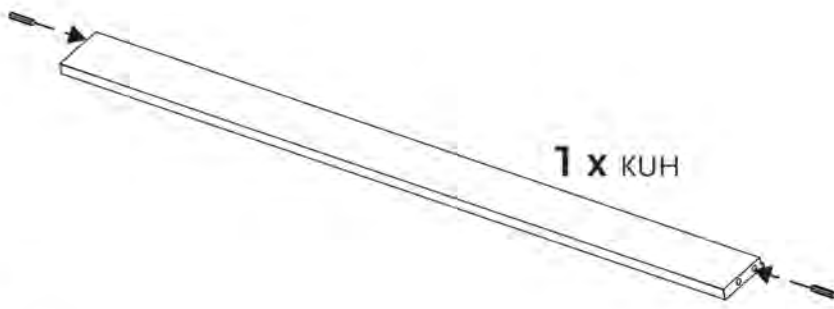
2



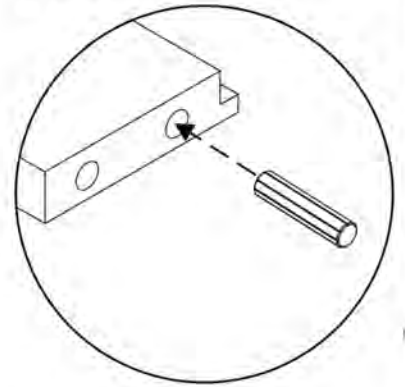
3



4

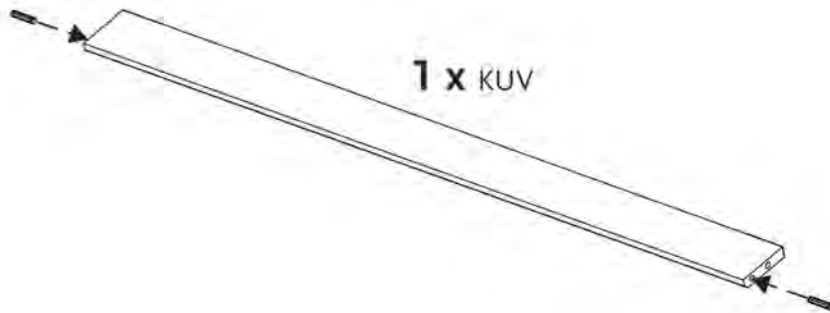


2 x WDH 8/30

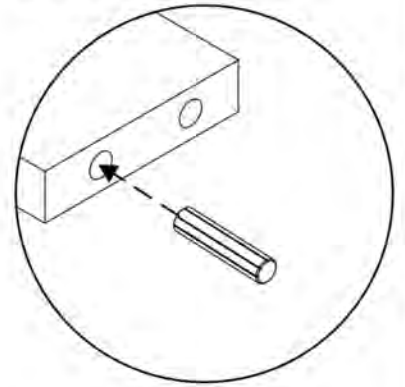


5

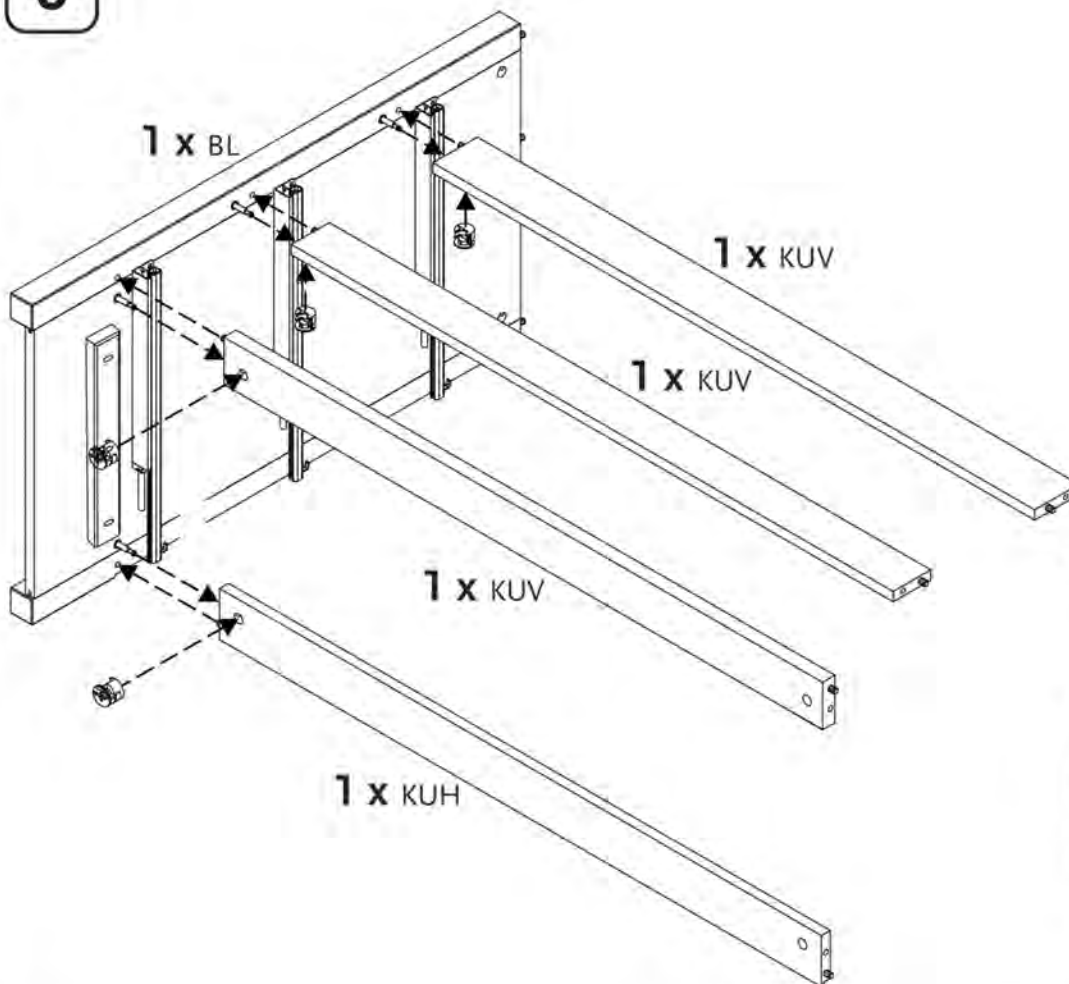
3x



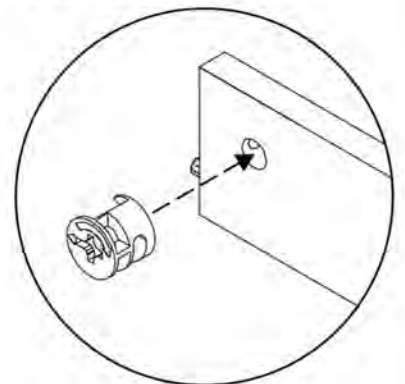
2 x WDH 8/30



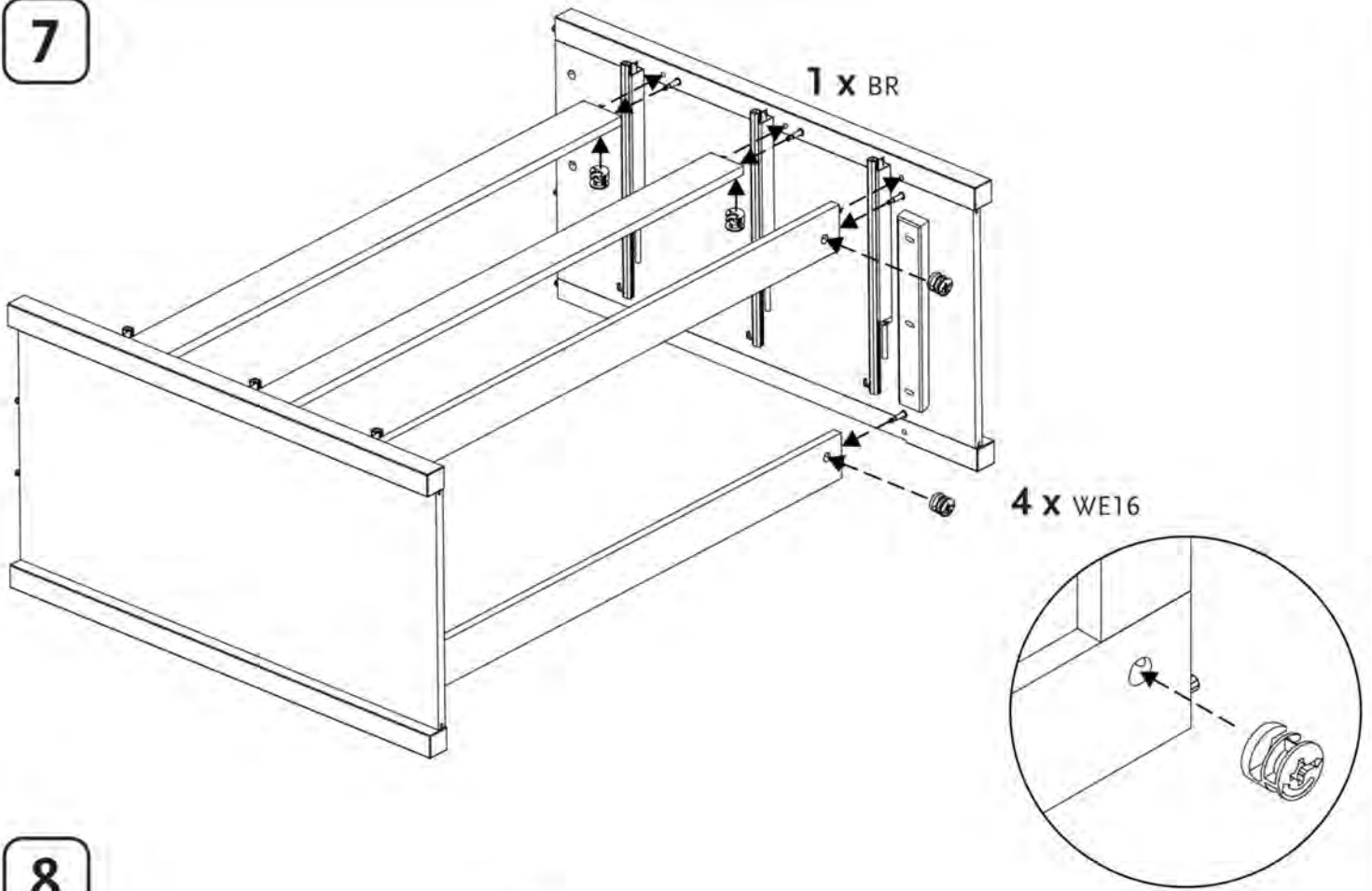
6



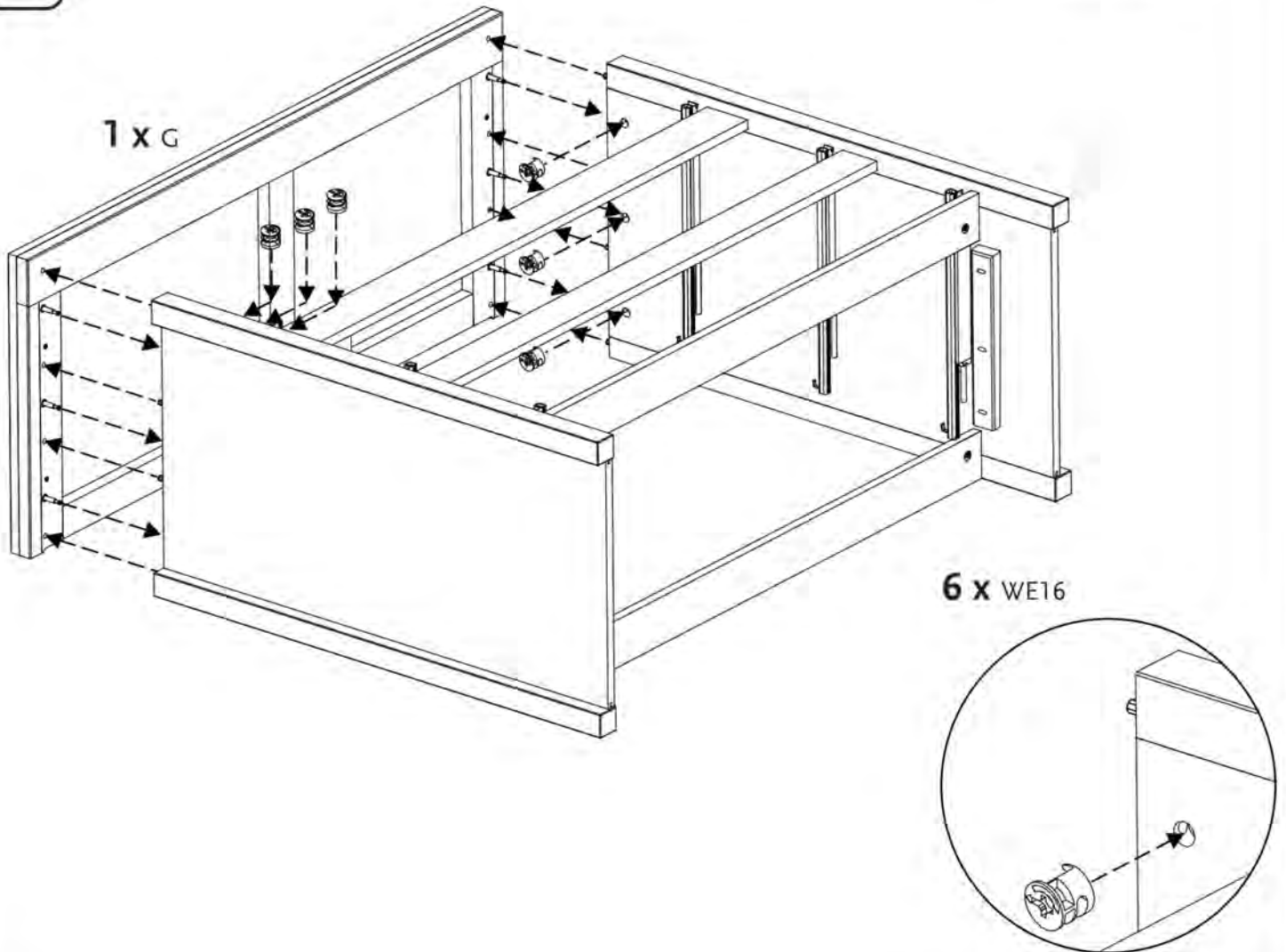
4 x WE16



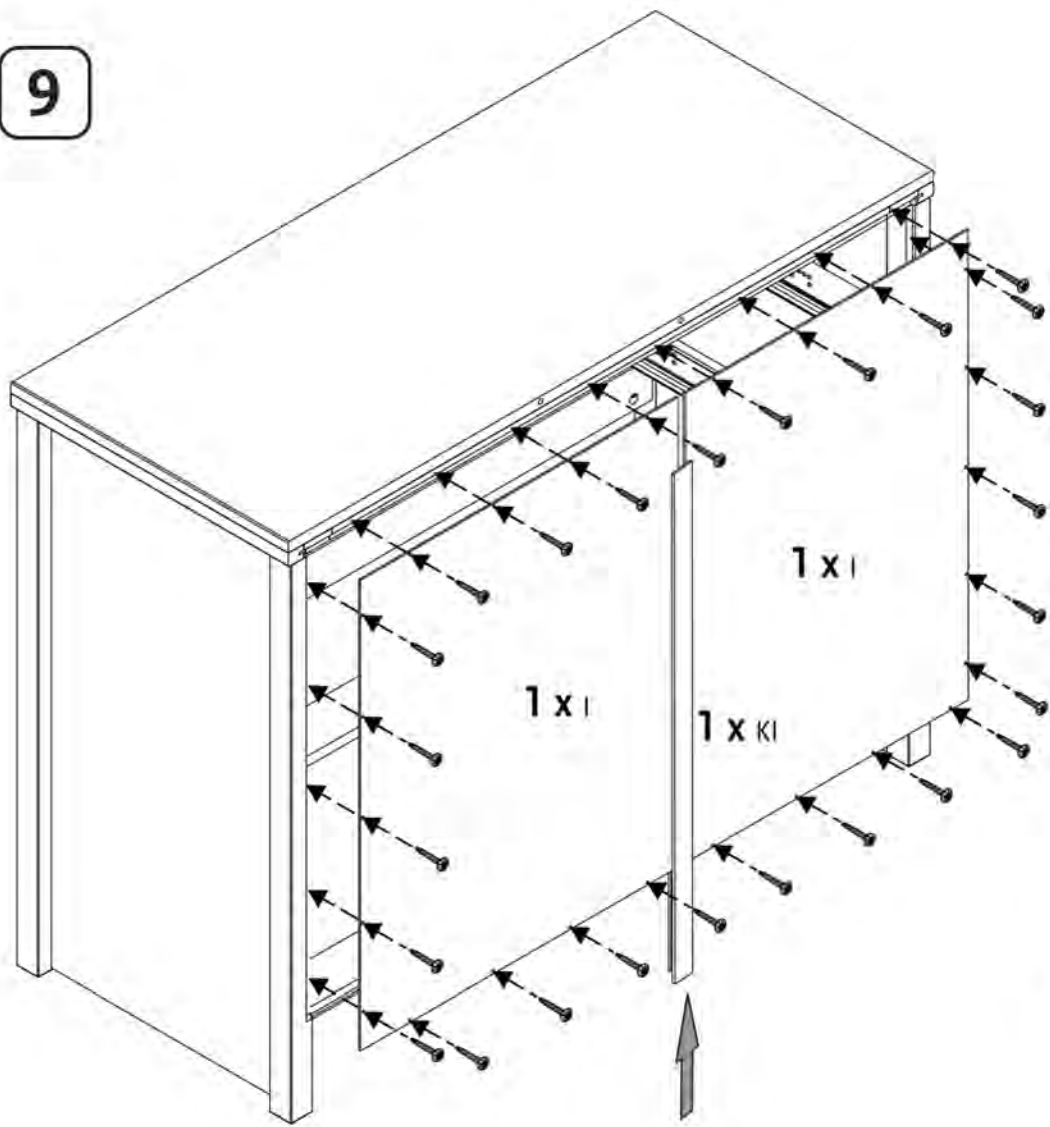
7



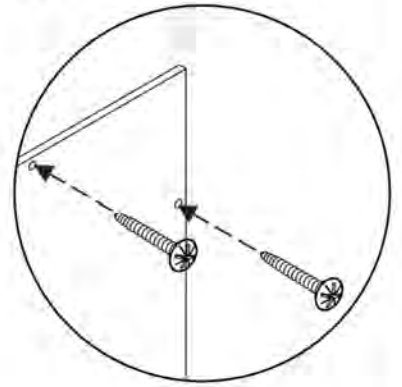
8



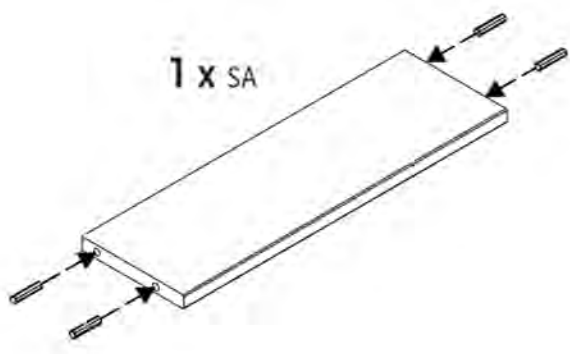
9



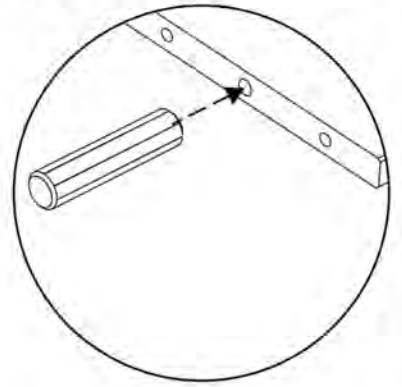
26 x VR 3,5/16



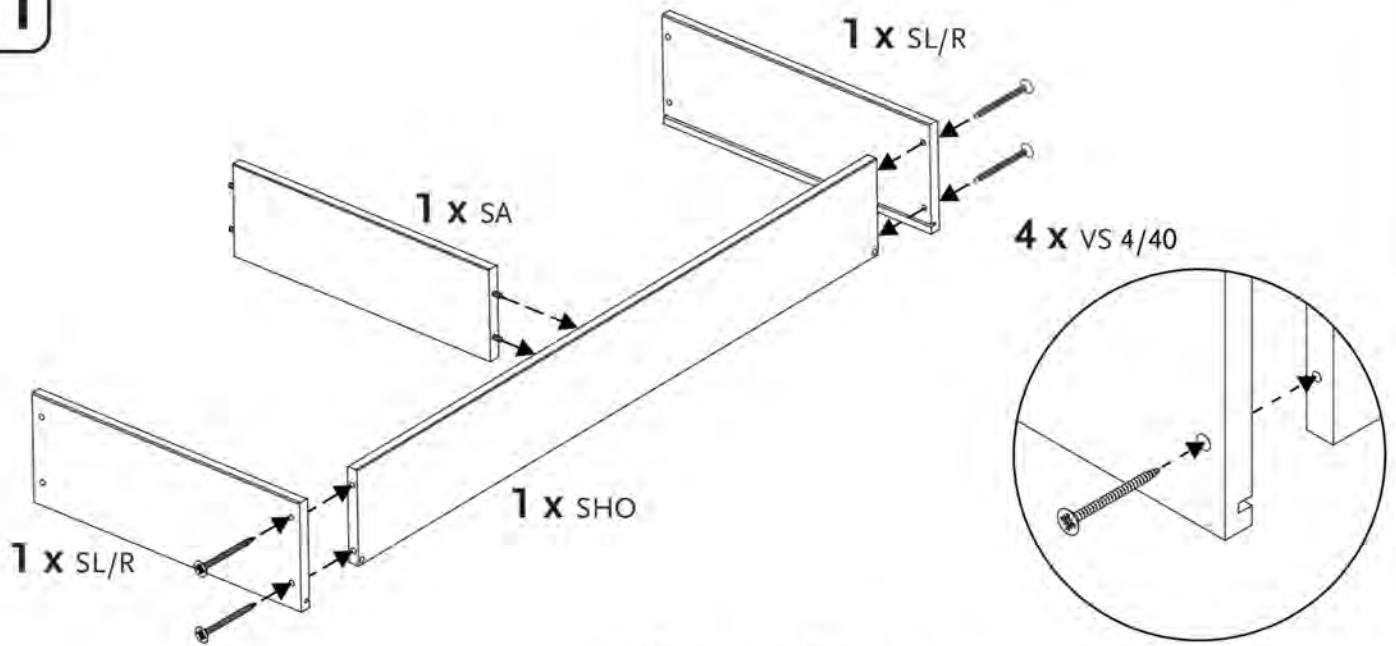
10



4 x WDH 8/30

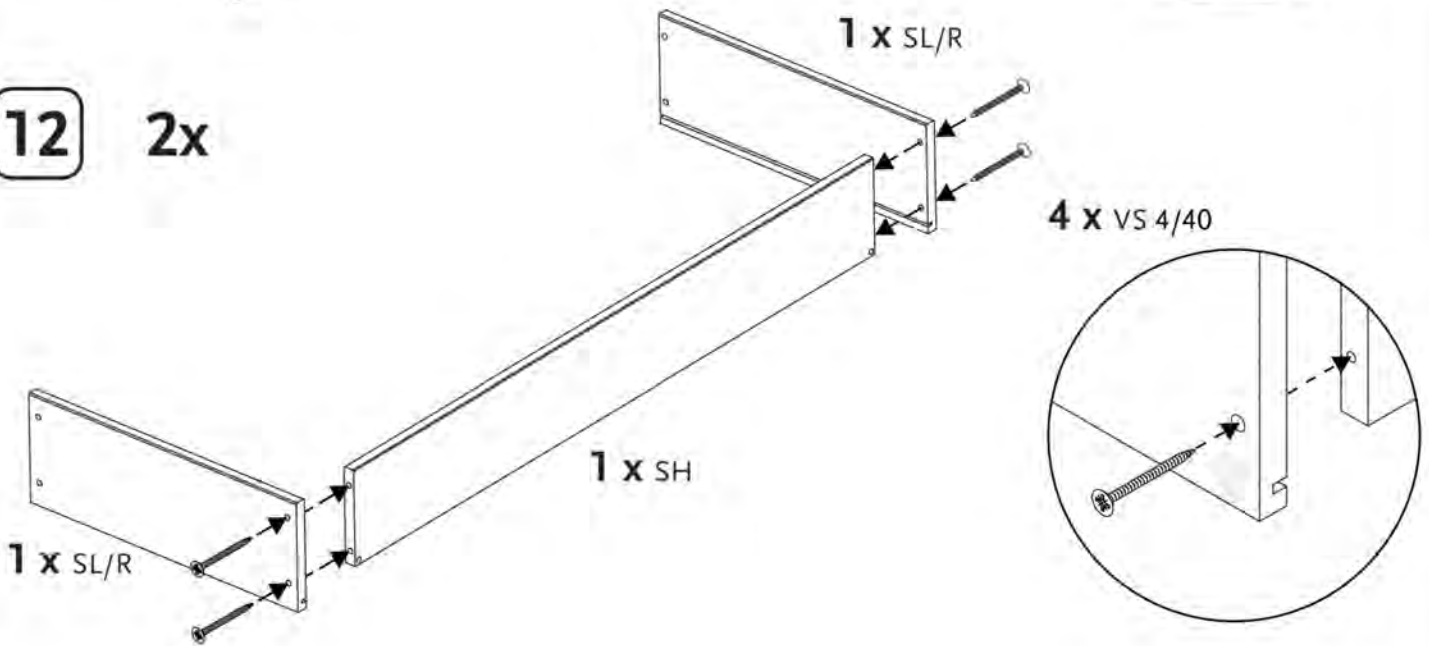


11



12

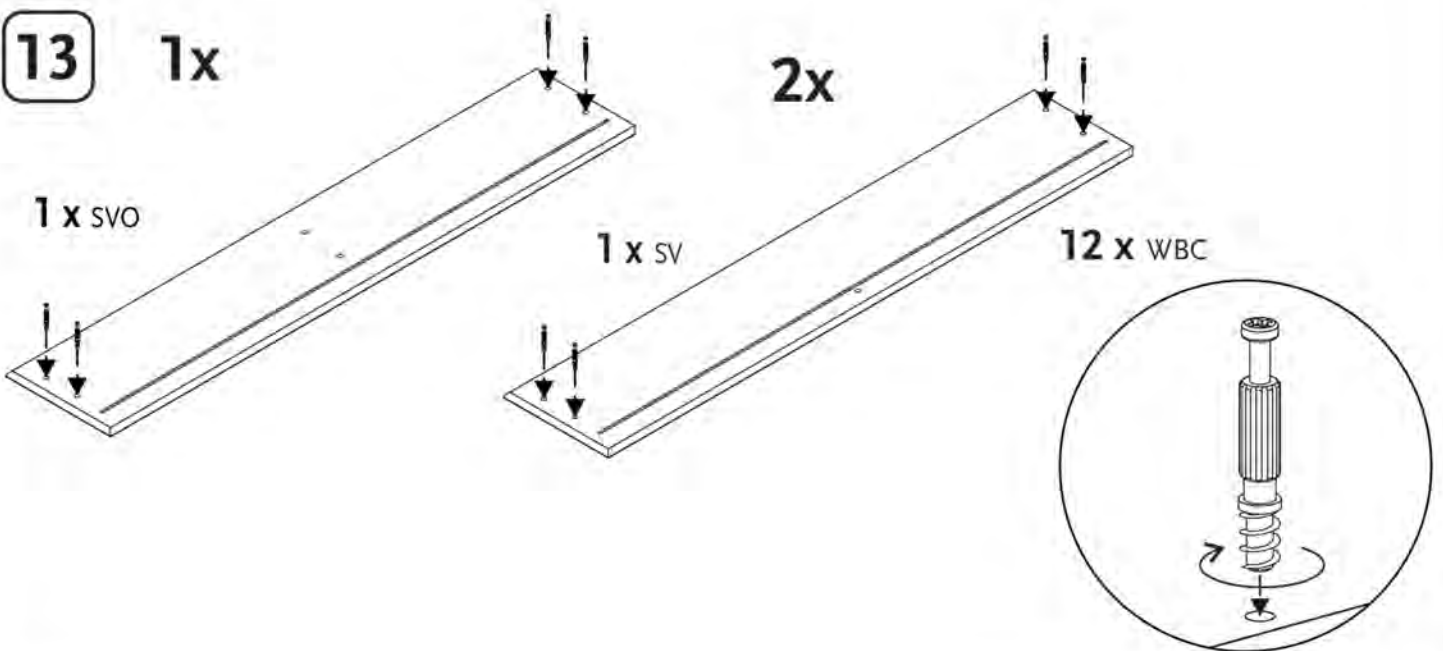
2x



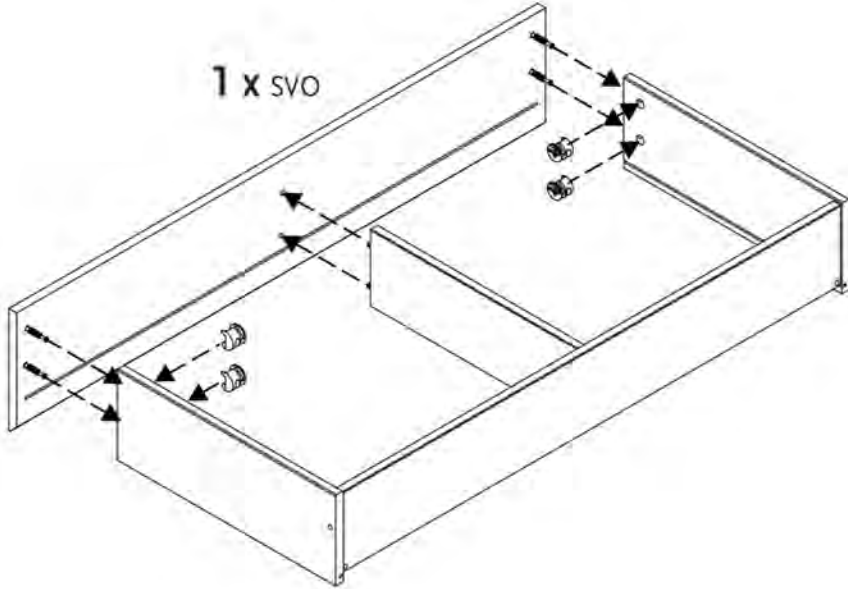
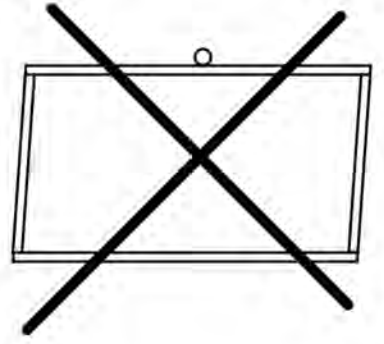
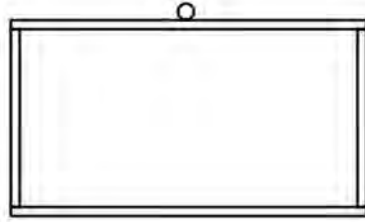
13

1x

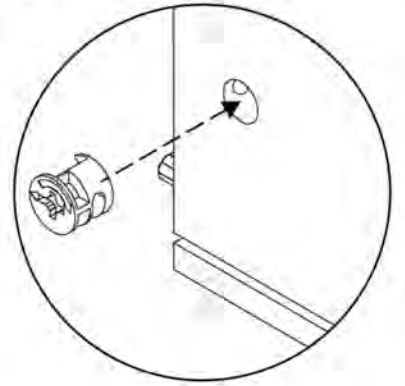
2x



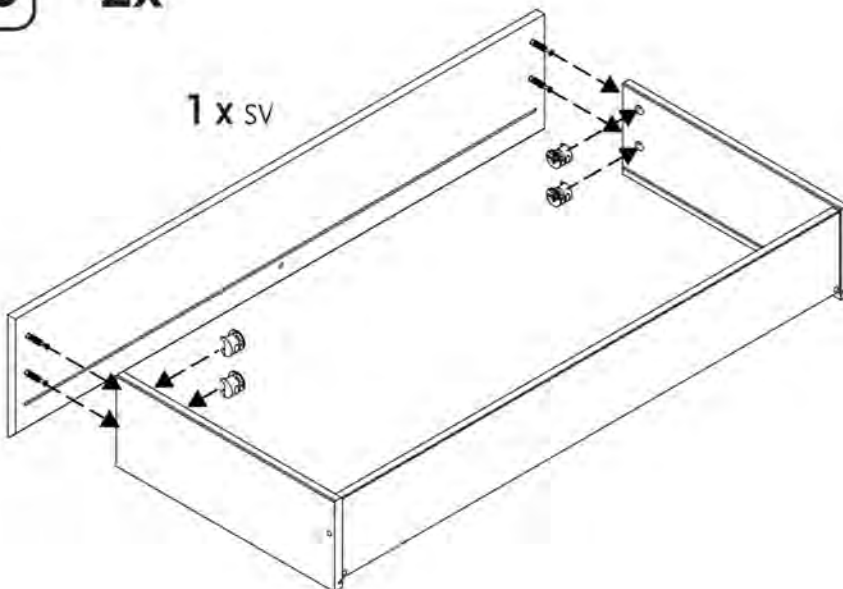
14



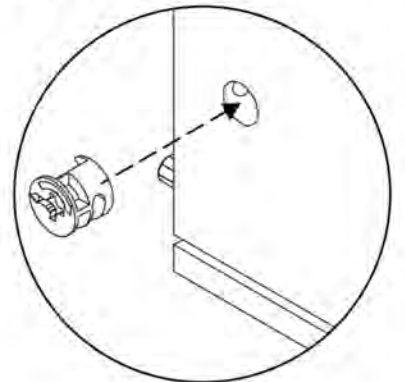
4 x WE15



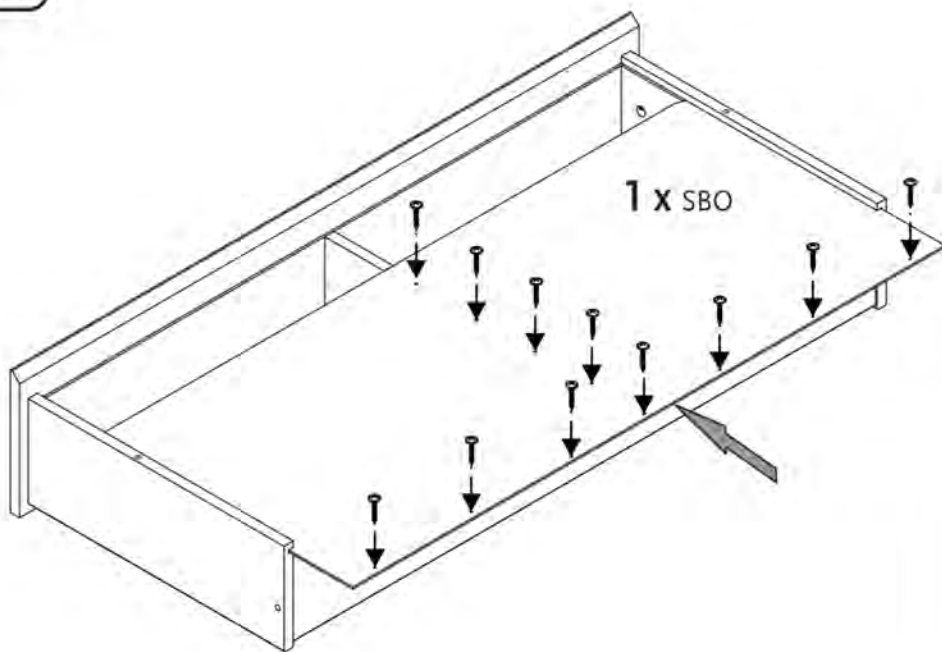
15 2x



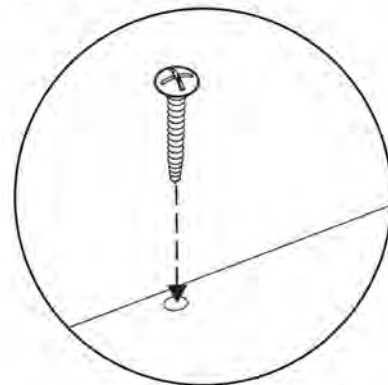
4 x WE15



16

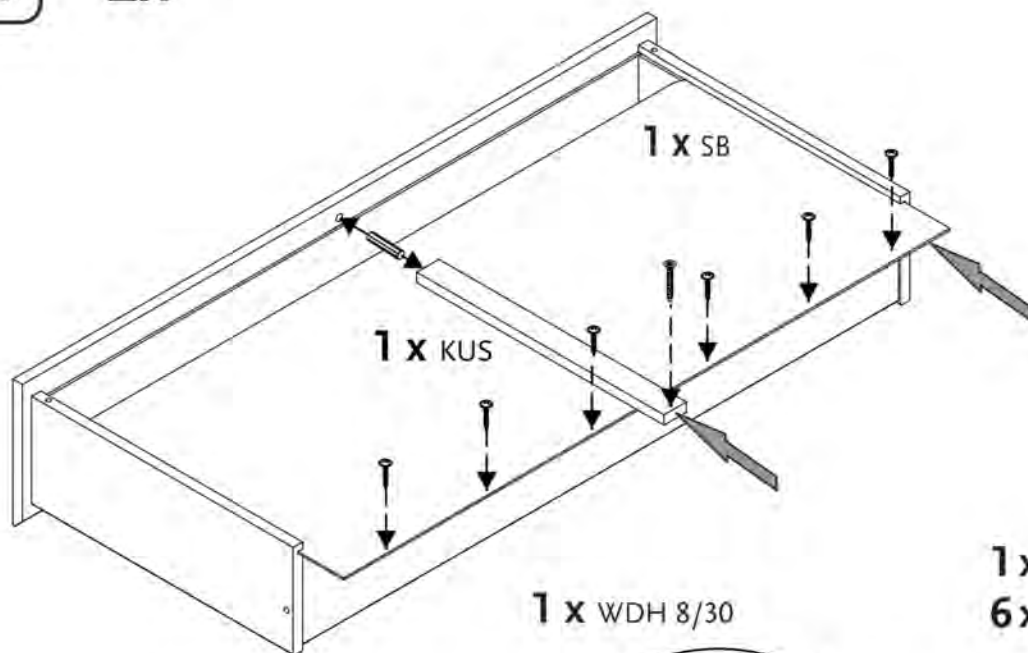


11 x VR 4,2/13



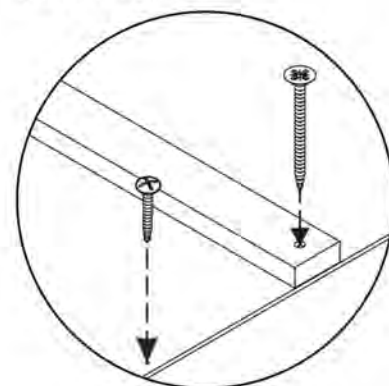
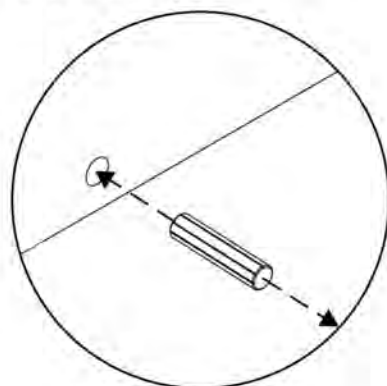
17

2x

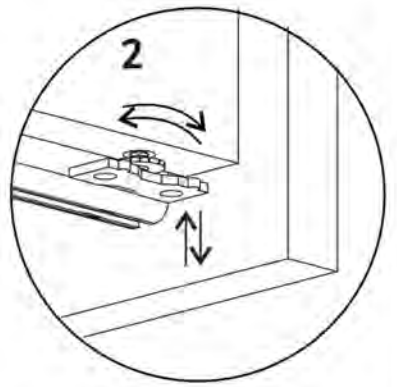
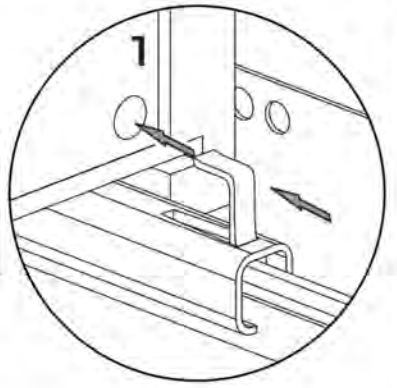
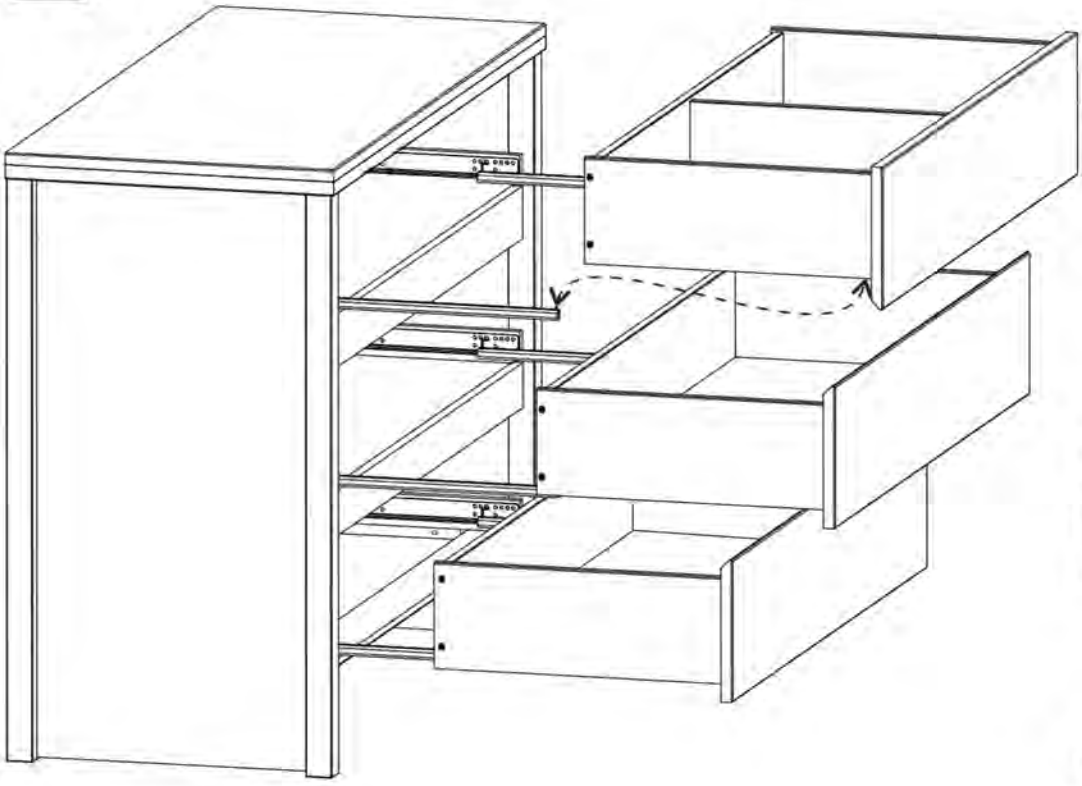


1 x VS 4/40

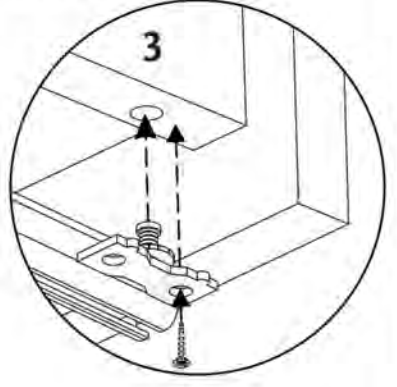
6 x VR 4,2/13



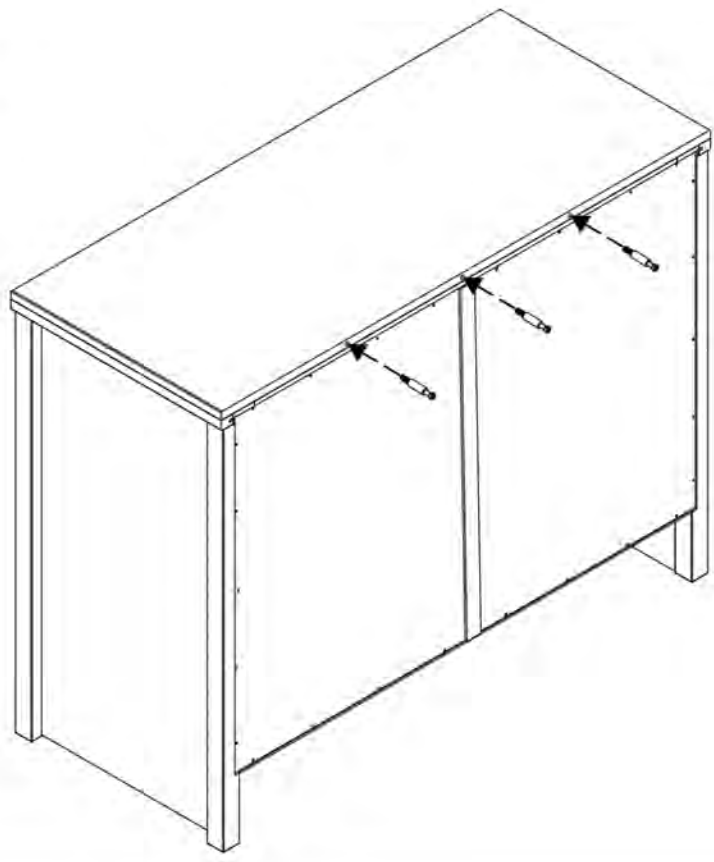
18



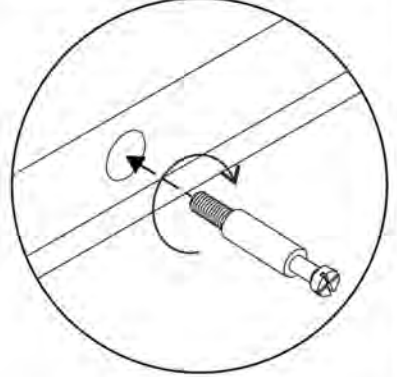
6 x VS 3,5/16



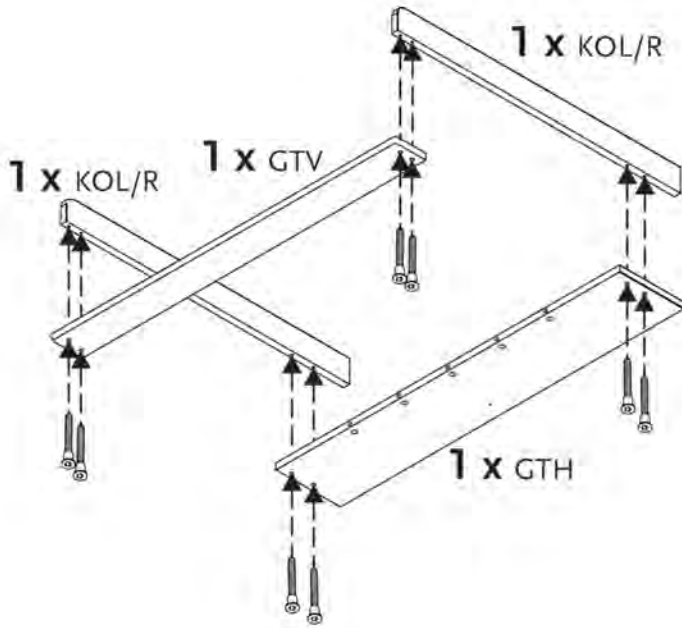
19



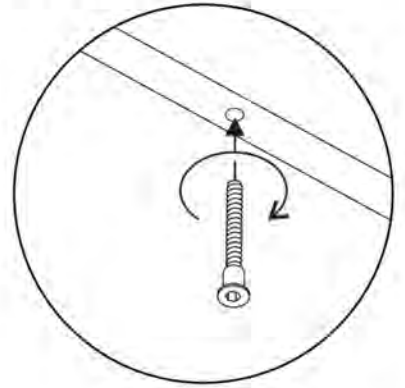
3 x WBE



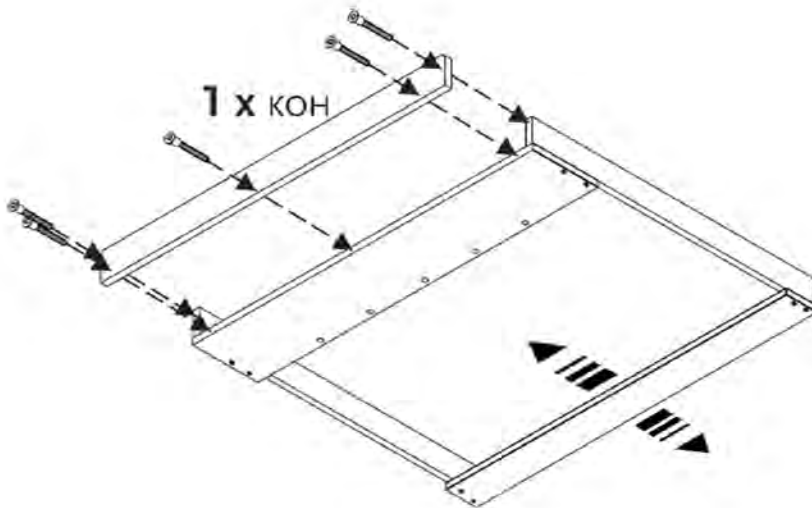
20



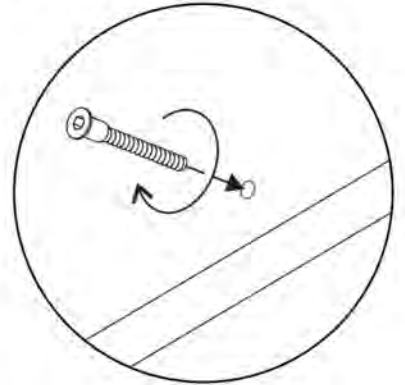
8 x VES 7/50

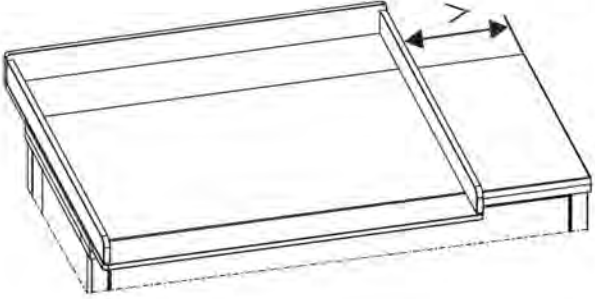
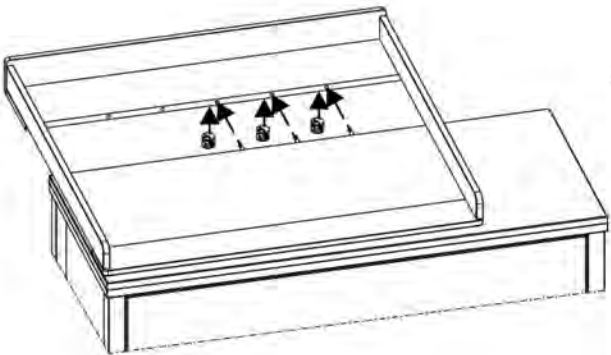
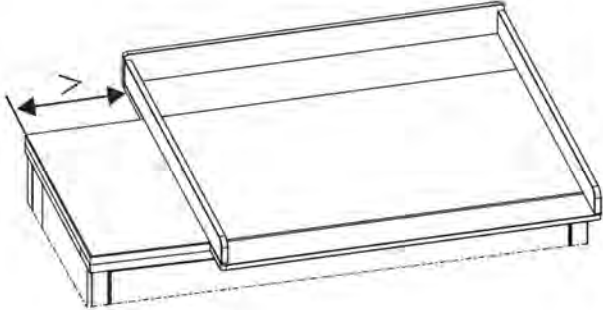
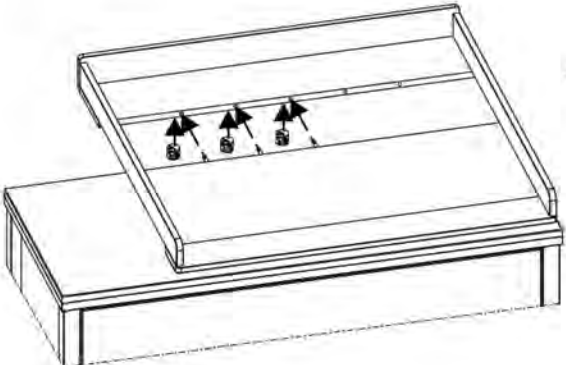
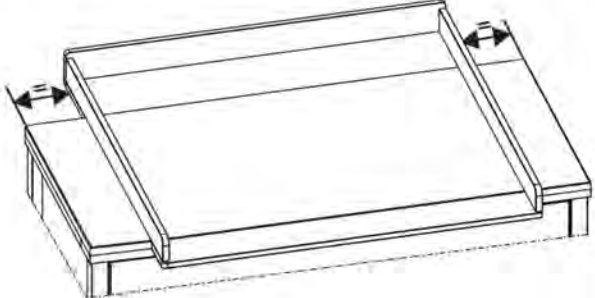
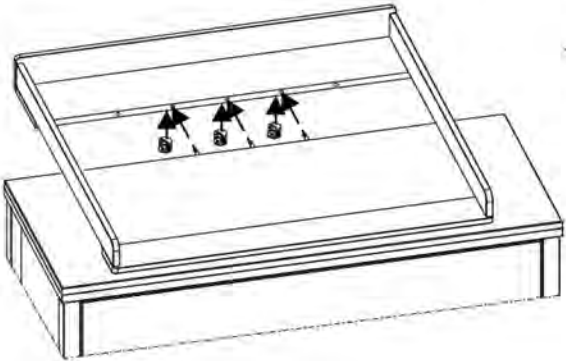


21

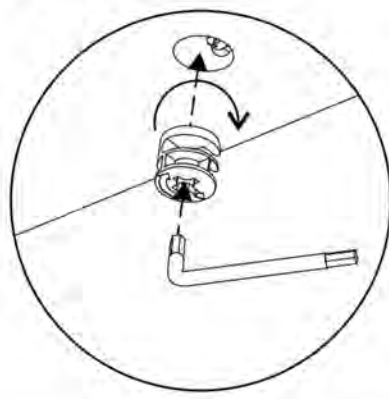


5 x VES 7/50

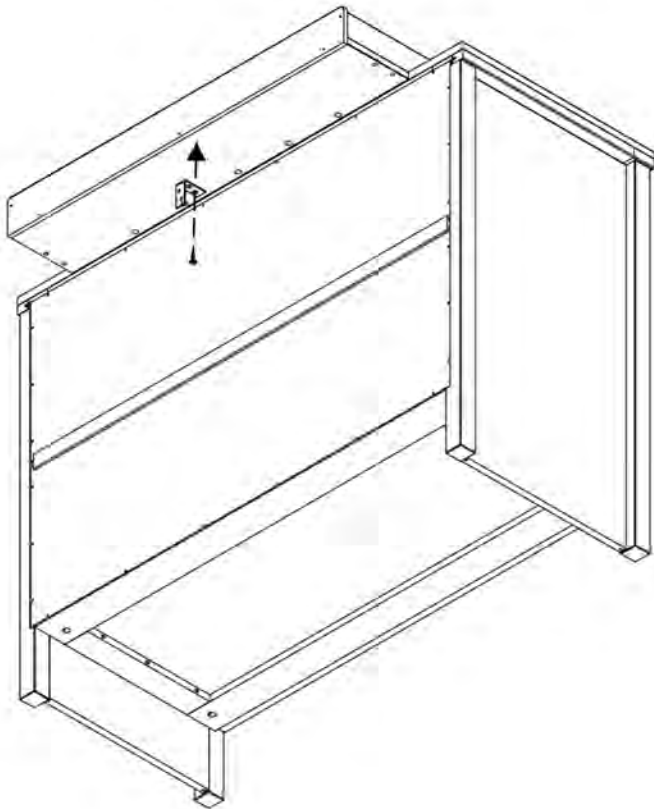




3 x WE16
1 x WI4

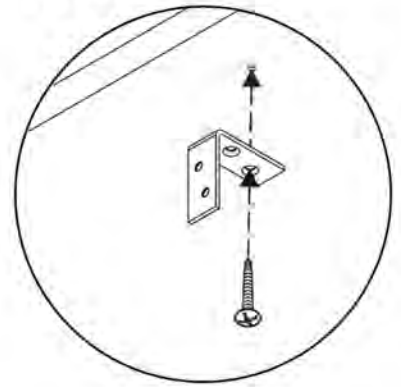


23

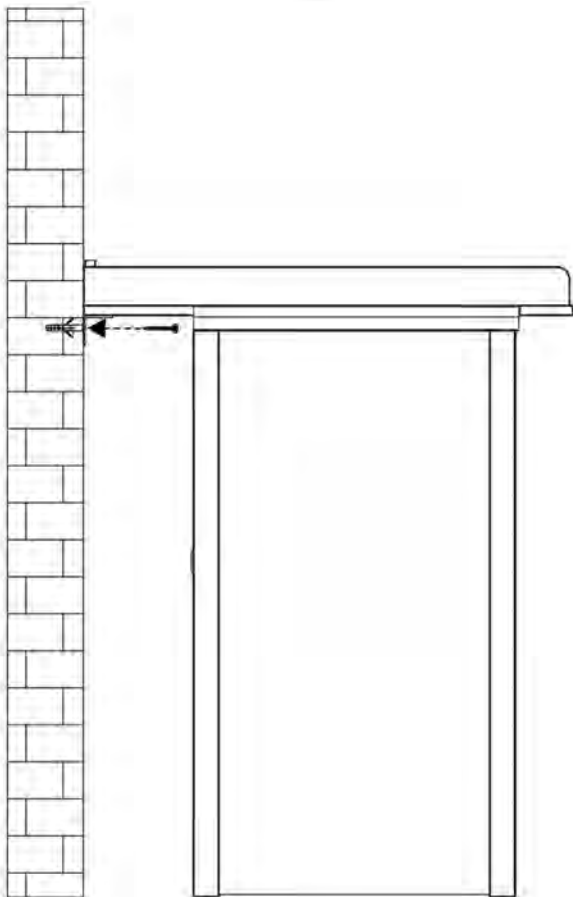


1 x VS4,2/13

1 x EML

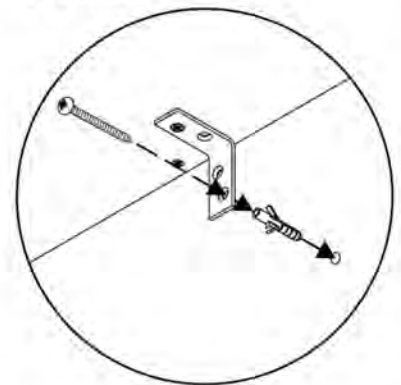


24

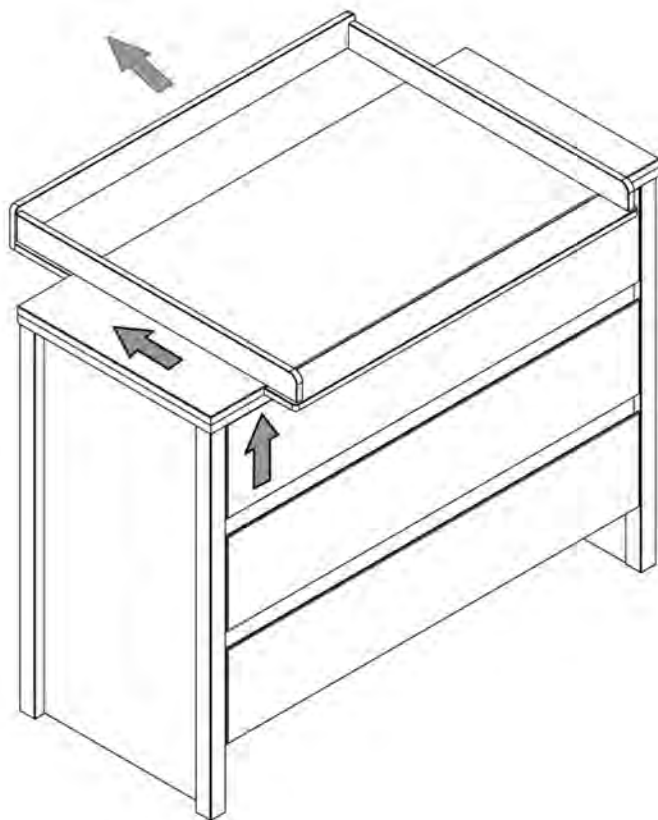


1 x VS4/40

1 x WDK6



A



B

